

# CARRIER INSTRUCTIONS

## NATURAL GAS TO PROPANE GAS CONVERSION KIT

### AT SEA LEVEL FOR BW3 BOILERS

### FOR 2 SECTION THRU 7 SECTION GAS FIRED HOT WATER BOILERS

#### WARNING

**This conversion kit applies to gas-fired boilers produced on or after April, 1999 & bearing a serial number date code of 1799 or newer. The conversion kit parts must be installed by a qualified installer or service agency, in accordance with the manufacturer's instructions, and in accordance with all codes and requirements of the authority having jurisdiction. Failure to follow these instructions could result in fire or explosion resulting in property damage, personal injury, or loss of life.**

#### THE FOLLOWING PARTS SHOULD BE INCLUDED WITH THIS CONVERSION KIT

1. **For BW3 boilers at sea level**, four 1/8" #51 drill size main orifices for 3-5 section boilers and six 1/4" #51 drill size main burner orifices for 6-7 section boilers. Use as required, one for each main burner. One 1/8" #49 drill size main burner orifice, to be used instead of 1/8" #51 drill size, on 2 section induced draft boilers only.
2. One LP gas regulator spring (Honeywell #3393691), to be used to convert the natural gas valve to work operate with propane gas pressures.
3. One BDR-12 insert type pilot orifice for Q314A and Q3451B pilot burners.
4. One 5/8" brass compression fitting, to be used as a new pilot tube to pilot burner fitting should the tubing break during gas conversion work.
5. One conversion kit data plate.

#### INSTALLATION INSTRUCTIONS

**Insure that the gas supply and electrical power to boiler are turned off before beginning to install this conversion kit.**

1. Remove all main burners, being careful not to disturb insulation on inside of combustion chamber or to damage the pilot burner assembly.
2. Determine the pilot burner type (stamped on pilot burner bracket), either Q314A or Q3451B. Replace the natural gas pilot orifice with the enclosed propane gas pilot orifice BDR-12 . See figure 1.
3. Replace all natural gas main burner orifices with enclosed propane gas main burner orifices. The water boiler conversion kits include enough orifices for a 9 section boiler, so on smaller boilers there will be extra orifices.

4. Reinstall all burners making sure the burner mounting tabs sit squarely in the burner support bracket.
5. Replace the natural gas regulator on the gas valve with the enclosed propane gas regulator. On the gas valve, insure that the tapered spring is inserted correctly. See figure 2.
6. Adhere the conversion kit data plate to the right side jacket panel, adjacent to the boiler's rating plate
7. Test all gas piping for leaks using soap solution. **NEVER TEST FOR LEAKS WITH AN OPEN FLAME.**
8. Follow lighting instructions to place boiler in operation. Confirm that the gas inlet supply pressure to the gas valve is within the specified range as shown on the conversion kit data plate. The 3393691 regulator spring requires adjustment at the time of installation. Adjust the manifold pressure to 10.0 inches water column.

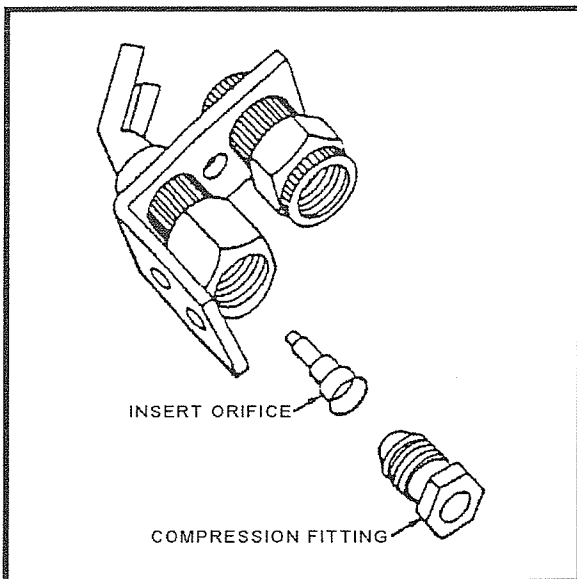


Figure 1 - Q314A or Q3451B

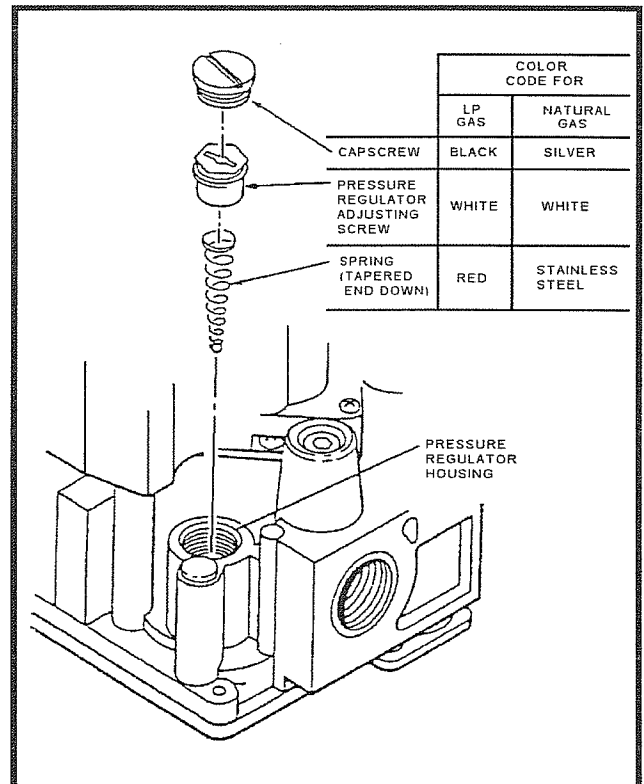


Figure 2 - VR8200, VR8204, VR8300, and VR8304 Gas Valves