

# Installation Instructions

Side Filter Rack

KGAFR0201ALL

**NOTE:** Read the entire instruction manual before starting the installation.  
This symbol→ indicates a change since the last issue.


## INTRODUCTION

This instruction covers the installation of side filter rack Part No. KGAFR0201ALL on an upflow gas-furnace.

## SAFETY CONSIDERATIONS

Installing and servicing heating equipment can be hazardous due to gas and electrical components. Only trained personnel should install or service heating equipment.

Untrained personnel can perform basic maintenance functions such as cleaning and replacing filters. All other operations should be performed by trained service personnel. When working on heating equipment, observe precautions in the literature, on tags, and on labels attached to the unit. Follow all safety codes. Wear safety glasses and work gloves. Have a fire extinguisher available.

Recognize safety information. This is the safety-alert symbol . When you see this symbol on the unit or in instructions or manuals, be alert to the potential for personal injury.

Understand the signal words DANGER, WARNING, CAUTION, and NOTE. The words DANGER, WARNING, and CAUTION are used with the safety-alert symbol. DANGER identifies the most serious hazards which **will** result in severe personal injury or death. WARNING signifies hazards which **could** result in personal injury or death. CAUTION is used to identify unsafe practices which **may** result in minor personal injury, or product and property damage. NOTE is used to highlight suggestions which **will** result in enhanced installation, reliability, or operation.

---

### **WARNING: FIRE AND EXPLOSION HAZARD**

Failure to follow this warning could result in personal injury, death and/or property damage.

Turn off gas and electrical supplies to unit before beginning and installation or modification. Follow operating instructions on label attached to furnace.

---

## DESCRIPTION AND USAGE

This filter rack is designed for use with upflow gas furnaces to provide side inlet of return air. The filter rack accepts one 16 x 25 x 1-in. filter which can be easily removed from the front as shown in Fig. 2. The filter access door is a snap-on type that requires no screws.

**NOTE:** Air delivery above 1800 cfm requires that both sides, or a combination of 1 side and bottom, or bottom only, of the furnace be used for return air.

## INSTALLATION

1. Refer to Fig. 1 and furnace Installation Instructions for size and location of side inlet opening.
2. Cut hole in furnace casing side as required.
3. Position filter rack over opening. (Filter rack tabs extend through opening into blower compartment of the furnace.)
4. Bend tabs down against inside of furnace casing.
5. Make necessary seals to avoid air leakage.
6. Connect return-air duct to flange provided on filter rack. Make necessary seals to avoid air leakage.
7. Properly seal bottom opening of furnace with bottom closure panel.
8. Refer to furnace Installation Instructions and proceed with installation.

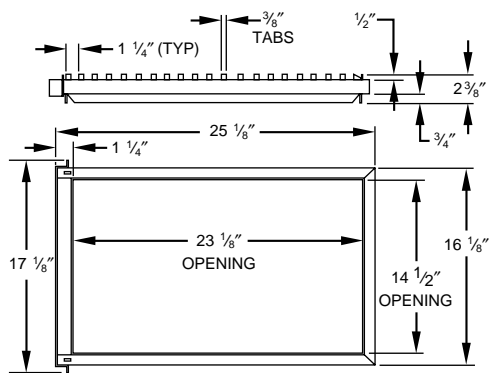


Fig. 1—Side Filter Rack

A80199

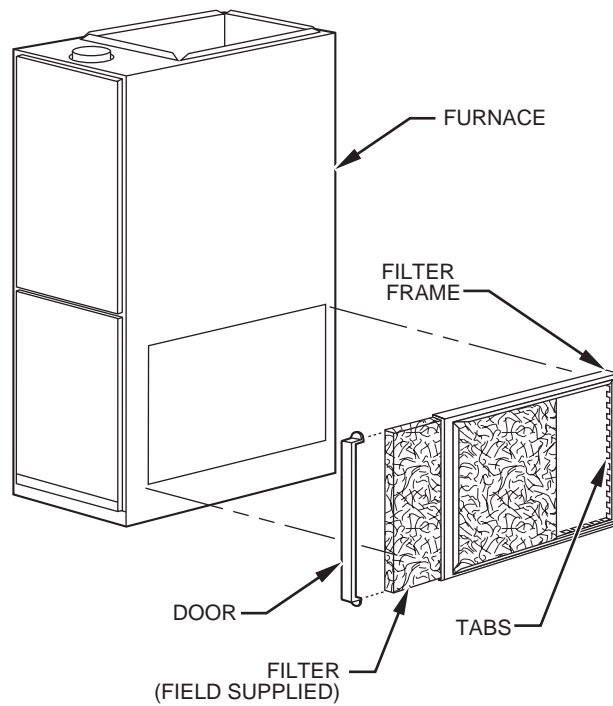


Fig. 2—Installing Filter Rack

A05171