

# Installation Instructions


Please read these instructions completely before attempting installation.

## SAFETY CONSIDERATIONS

Installing and servicing heating equipment can be hazardous due to gas and electrical components. **Only trained and qualified personnel should install, repair, or service heating equipment.** Untrained personnel can perform basic maintenance functions such as cleaning and replacing air filters. All other operations must be performed by trained service personnel. When working on heating equipment, observe precautions in literature, on tags, and on labels attached to or shipped with unit and other safety precautions that may apply.

These instructions cover the minimum requirements and conform to existing national standards and safety codes. In some instances, these instructions exceed certain local codes and ordinances, especially those that may not have kept up with changing residential construction practices. We require these instructions as a minimum for a safe installation.

Wear safety glasses and work gloves. Have a fire extinguisher available during start-up and adjustment procedures and service calls.

Recognize safety information. This is the safety-alert symbol . When you see this symbol on the furnace and in instructions or manuals, be alert to the potential for personal injury.

Understand the signal words DANGER, WARNING, and CAUTION. These words are used with the safety-alert symbol. DANGER identifies the most serious hazards which **will** result in severe personal injury or death. WARNING signifies a hazard which **could** result in personal injury or death. CAUTION is used to identify unsafe practices which **may** result in minor personal injury or product and property damage. NOTE is used to highlight suggestions which **will** result in enhanced installation, reliability, or operation.

## WARNING

### ELECTRICAL OPERATION HAZARD

Failure to follow this warning could result in personal injury or death.

Turn off gas and electrical supplies to unit and install lockout tag before beginning any installation or modification. Follow operating instructions on label attached to furnace.

## CAUTION

### CUT HAZARD

Failure to follow this caution may result in personal injury. Sheet metal parts may have sharp edges or burrs. Use care and wear appropriate protective clothing and gloves when handling parts.

## INTRODUCTION

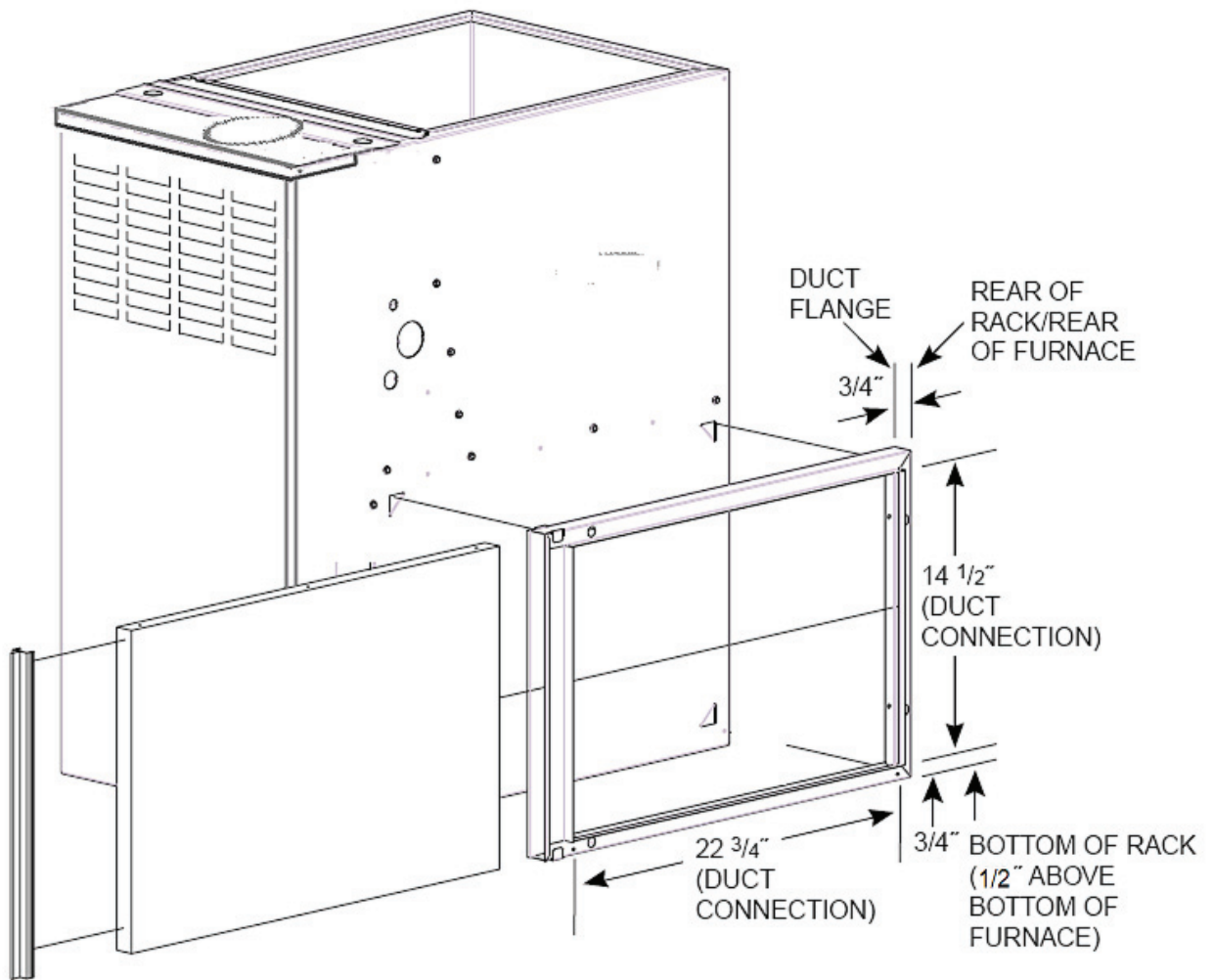
This instruction covers the installation of the side filter kit Part No. KGAFR0801SRE.

## DESCRIPTION AND USAGE

This filter rack is designed for use with multipoise gas furnaces to provide side inlet of return air. The filter rack accepts one 16 x 25 in. (406 x 635 mm) size filter which can be easily removed as shown in Fig. 1.

## INSTALLATION

1. Refer to Fig. 1 and furnace Installation Instructions for size and location of side inlet opening.
2. Remove filter from filter rack.
3. Using knockouts as your guide, cut out side of furnace.
4. Make rack flush with back of furnace cabinet.
5. Use minimum of 4 screws and secure rack using pre-drilled holes in rack.
6. Slide filter back into rack.
7. Reattach door.
8. Reattach return air duct or complete the furnace installation per the furnace installation instructions.



**Fig. 1 - Side Filter Rack**

A10240