

# Installation Instructions

Rigid Filter Kit

KGAWF0801KIT

**NOTE:** Read the entire instruction manual before starting the installation.

## INTRODUCTION

This instruction covers the installation of a rigid filter kit Part No. KGAWF0801KIT for side return applications on an upflow furnace. Installation of the kit must be made prior to installation of the furnace.

## SAFETY CONSIDERATIONS

Installing and servicing heating equipment can be hazardous due to gas and electrical components. Only trained personnel should install or service heating equipment.

Untrained personnel can perform basic maintenance functions such as cleaning coils or cleaning and replacing filters. All other operations should be performed by trained service personnel. When working on heating equipment, observe precautions in the literature and on tags and labels attached to the unit.

Follow all safety codes. Wear safety glasses and work gloves. Have a fire extinguisher available.

The kit contains the following items:

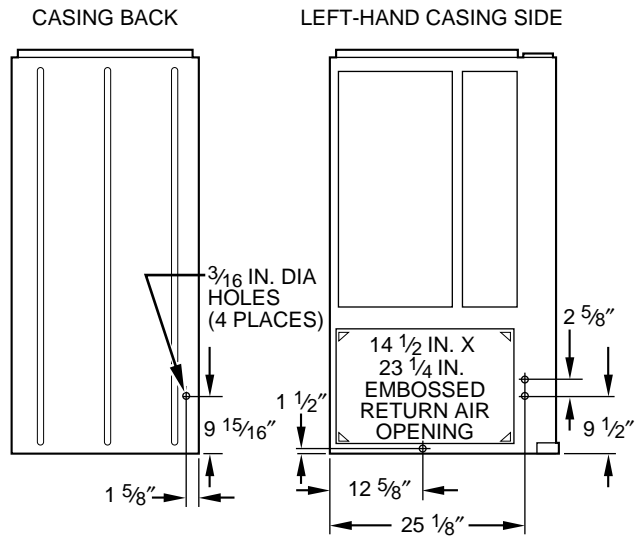
Return-air filter (16 x 25 x 1 in.)	(1)
Filter clip	(2)
Filter retainer clip	(1)
Filter retainer	(1)
Sheet metal screws	(5)
Installation Instructions	(1)

## PROCEDURE 1—INSTALLATION CONSIDERATIONS

1. Kit must be installed on the left-hand (LH) side only (side opposite blower motor) in a variable-speed furnace. Due to reduced accessibility to the filter caused by the ICM motor, right-hand (RH) side return-air installations require an accessory external side filter rack.
2. Kit may be installed on the RH (motor) side of mid-efficiency or condensing (except variable-speed) furnace if the auxiliary J-box (electrical service) is mounted on the LH side. When the auxiliary J-box is mounted on the RH side of a furnace with RH side return-air installation, the factory-supplied filter or an accessory external side filter rack is required.
3. If possible, 24-v wiring should enter casing on opposite side of filter. If not possible, be sure 24-v wiring has enough slack to allow wire to be positioned out of the way during removal and installation of the filter.
4. On condensing furnaces, it is recommended that the condensate be piped from the trap to furnace side opposite the rigid filter. If this is not possible, be sure to install pipe coupling provided with furnace, in condensate pipe inside the furnace casing as described in furnace Installation Instructions. If coupling is installed per furnace Installation Instructions, it will be positioned to allow disconnection and repositioning of condensate pipe so the filter can be removed, cleaned, and reinstalled.

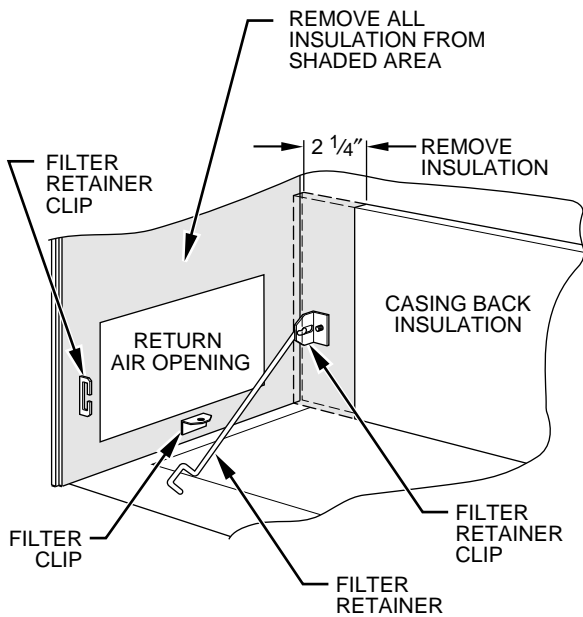
## PROCEDURE 2—INSTALLATION OF KIT

1. Cut side return opening in furnace casing. Location of opening is outlined by embossment on casing side. (See Fig. 1.)
2. On condensing furnaces, remove insulation around opening on inside of blower compartment. Also, remove 2-1/4 in. of insulation from back of blower compartment adjacent to opening. (See Fig. 2.)
3. Center punch and drill three 3/16-in. holes in casing side and one 3/16-in. hole in casing back for mounting of brackets. See Fig. 1 for location of holes for a LH side return-air installation. For RH side return-air installations, hole location is the same on the RH casing side and casing back.
4. Attach filter retainer rod to one of filter clips. Mount filter clip and retainer rod to casing back with screw provided in kit. (See Fig. 2.)
5. Mount other filter clip and filter retainer clip to casing side using screws provided in kit. (See Fig. 2.)
6. Install filter and secure in place with filter retainer rod to confirm proper installation of kit before proceeding with furnace installation. (See Fig. 3.)
7. Seal bottom opening of furnace with bottom closure panel. Refer to furnace Installation Instructions.
8. Follow furnace Installation Instructions and proceed with furnace installation.



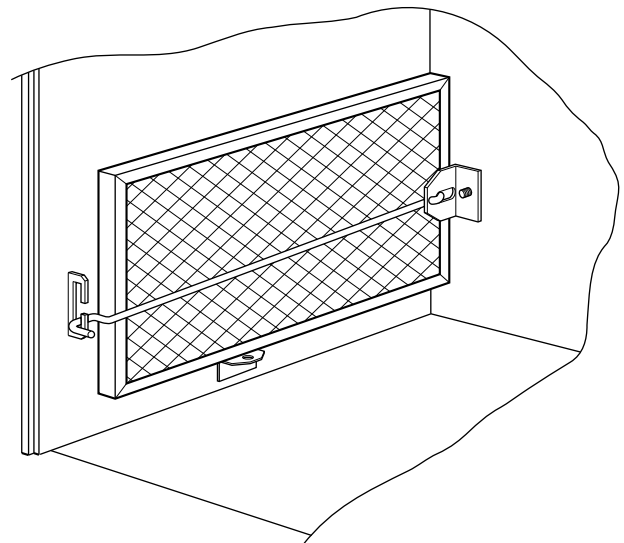
**Fig. 1—Mounting Holes for Left-Hand Side Return**

A89102



**Fig. 2—Blower Compartment Without Blower**

A89103



**Fig. 3—Rigid Filter Installed In Blower Compartment**

A89104