

# Installation Instructions

Support  
Feet Kit

KSASF0101AAA

**NOTE:** Read the entire instruction before beginning installation.

## INTRODUCTION

This instruction covers the installation of unit mounting feet for split-system air conditioners and heat pumps.

## SAFETY CONSIDERATIONS

**⚠ WARNING:** Before beginning any modification be sure the main electrical disconnect is in the OFF position. TAG SWITCH WITH A SUITABLE WARNING LABEL. Electrical shock can cause personal injury or death.

**⚠ CAUTION:** To avoid damage to electrical connections and refrigerant braze joints, support feet should be installed prior to unit hook-up.

**⚠ CAUTION:** To avoid compressor damage, NEVER turn unit on its side or top to install support feet.

## INSTALLATION

**NOTE:** Make sure unit is on a level, stable mounting pad before installing support feet.

1. Support unit completely before installing mounting feet.
2. Remove support feet from carton and paper from gasket located on top of support feet. (See Fig. 1.)
3. Position support mounting feet in the embossed corners of base pan (see Fig. 2). Apply pressure to ensure proper adhesion to base pan.
4. Lower unit back onto the mounting pad, being careful not to twist unit.

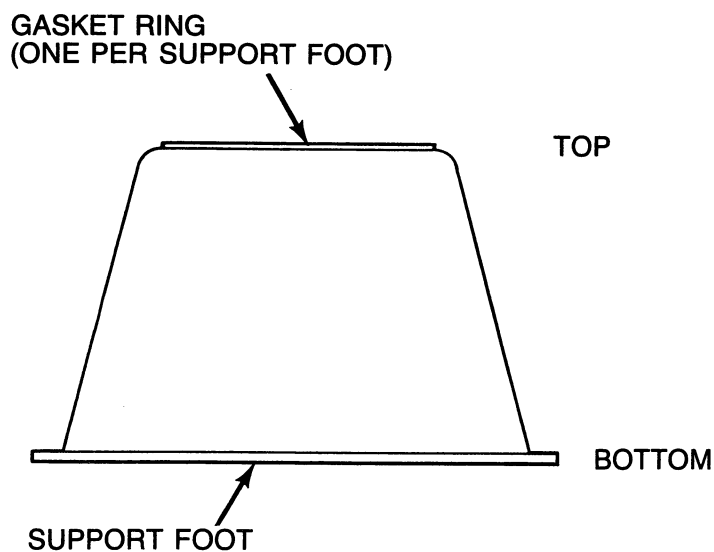
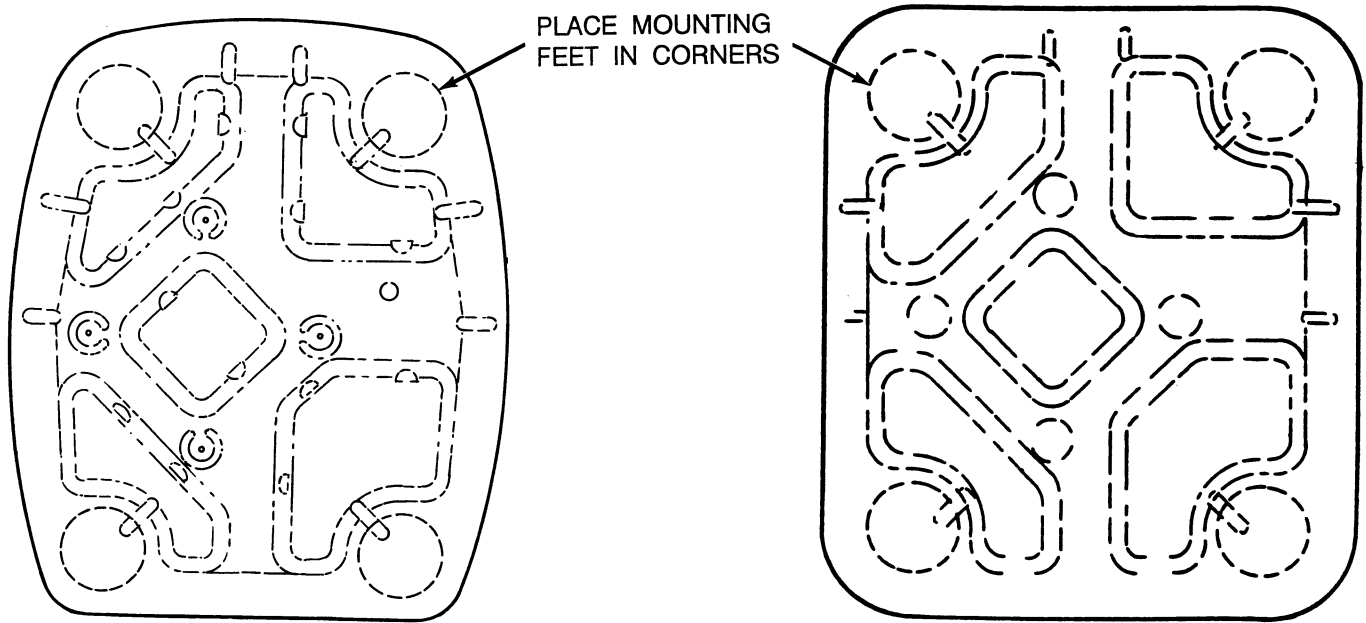


Fig. 1—Support Feet Assembly

A88356



**Fig. 2—Unit Mounting Pattern**

A89255