

# Installation Instructions


**NOTE:** Read the entire instruction manual before starting the installation.

## SAFETY CONSIDERATIONS

Improper installation, adjustment, alteration, service, maintenance, or use can cause explosion, fire, electrical shock, or other conditions which may cause death, personal injury, or property damage. Consult a qualified installer, service agency, or your distributor or branch for information or assistance. The qualified installer or agency must use factory-authorized kits or accessories when modifying this product. Refer to the individual instructions packaged with the kits or accessories when installing.

Follow all safety codes. Wear safety glasses, protective clothing, and work gloves. Have a fire extinguisher available. Read these instructions thoroughly and follow all warnings or cautions include in literature and attached to the unit. Consult local building codes, the current editions of the National Fuel Gas Code (NFGC) NFPA 54/ANSI Z223.1 and the National Electrical Code (NEC) NFPA 70.

In Canada, refer to the current editions of the National Standards of Canada CAN/CSA-B149.1 and .2 Natural Gas and Propane Installation Codes, and Canadian Electrical Code CSA C22.1.

Recognize safety information. This is the safety-alert symbol . When you see this symbol on the unit and in instructions or manuals, be alert to the potential for personal injury.

Understand the signal words **DANGER**, **WARNING**, and **CAUTION**. These words are used with the safety-alert symbol. **DANGER** identifies the most serious hazards which **will** result in severe personal injury or death. **WARNING** signifies hazards which **could** result in personal injury or death. **CAUTION** is used to identify unsafe practices which **may** result in minor personal injury or product and property damage. **NOTE** is used to highlight suggestions which **will** result in enhanced installation, reliability, or operation.

## **WARNING**

### **FIRE, EXPLOSION, ELECTRICAL SHOCK HAZARD**

Failure to follow this warning could result in personal injury, death and/or property damage.

The ability to properly perform maintenance on this equipment requires certain knowledge, mechanical skills, tools, and equipment. If you do not possess these, do not attempt to perform any maintenance on this equipment other than those procedures recommended in the Owner's Manual.

## **WARNING**

### **FIRE, EXPLOSION, ELECTRICAL SHOCK AND CARBON MONOXIDE POISONING HAZARD**

Failure to follow instructions could result in personal injury, death or property damage.

Improper installation, adjustment, alteration, service, maintenance, or use can cause carbon monoxide poisoning, explosion, fire, electrical shock, or other conditions, which could result in personal injury or death. Consult your distributor or branch for information or assistance. The qualified installer or agency must use only factory-authorized kits or accessories when servicing this product.

## **WARNING**

### **ELECTRICAL SHOCK HAZARD**

Failure to follow this warning could result in personal injury or death.

Before installing, modifying, or servicing system, main electrical disconnect switch must be in the OFF position and install a lockout tag. There may be more than one electrical supply to the furnace. Check accessories and cooling unit for additional electrical supplies that must be shut off during furnace servicing. Lockout and tag switch with a suitable warning label. Verify proper operation after servicing.

## INTRODUCTION

This kit supplies the gasketing required in order to replace the gaskets on the doors and the top and bottom plate.

## DESCRIPTION AND USAGE

This gasket can replace any of the gaskets that are located on the door sides, door centers, the top plate and/or the bottom plate. See Table 1 for kit contents with either strips or rolls. Table 2 has all the lengths of the gaskets needed to replace the original gaskets.

## INSTALLATION

### Unit Shut Down

1. Set room thermostat to lowest setting or "OFF".
2. Disconnect power at external disconnect, fuse or circuit breaker.
3. Turn off gas at external shut-off or gas meter.
4. Remove outer doors and set aside.
5. Turn electric switch on gas valve to "OFF".

**Table 1 – Kit Contents**

PART NUMBER	DESCRIPTION	QUANTITY
IJK-337699-02	Installation Instructions	1
<b>AND</b>		
337532-401	Door Side Seal Strip	4
337532-405	Door Center Seal Strip	2
337532-409	Top Plate/Bottom Plate Seal Strip	2
<b>OR</b>		
338469-401	Roll of Seal Strip	1

**Table 2 – Replacement Gasket Lengths**

LOCATION	FURNACE WIDTH INCHES (MM)	LENGTH INCHES (MM)
Door Side	All	17 5/16 (440)
Door Center	14 3/16 (361)	13 (331)
	17 1/2 (445)	16 3/8 (416)
	21 (533)	19 7/8 (504)
	24 1/2 (622)	23 3/8 (593)
Top Plate / Bottom Plate	14 3/16 (361)	12 5/8 (320)
	17 1/2 (445)	15 15/16 (405)
	21 (533)	19 3/8 (493)
	24 1/2 (622)	22 7/8 (582)

**Door Gasket Installation**

- Side gaskets are placed from the top edge to the bottom edge of the door. See Fig. 4.
- Center gasket should be placed inside of side gaskets. See Fig. 3 for placement.
- Gaskets should be offset 1/16<sup>th</sup> of an inch (1.5mm) from the edge of the hem as shown in Fig. 2.
- Gaskets should be in contact with both the hem and the flat surface along the edge of the door.
  1. Remove as much original gasket material as possible.
  2. Determine what length of gasket to cut by using Table 2.
  3. Remove backing from gasket and apply to door using the guidelines stated above.

**Top Plate Gasket Installation**

- Gasket should be placed flush with the front flange of the top plate, and should be laid on top of the top plate insulation.
- Gasket should stretch the entire width of the furnace in between the front casing flanges.
  1. Remove as much original gasket material as possible. Gasketing that is trapped in between the casing and the top plate does not need to be removed.
  2. Determine what length of gasket to cut by using Table 2.
  3. Remove backing from gasket and apply to top plate using the guidelines stated above.

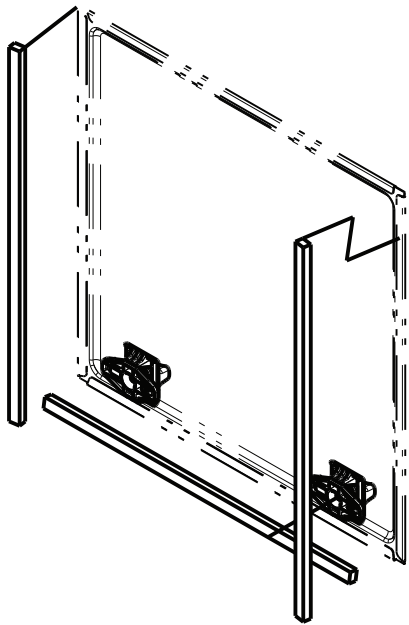
**Bottom Plate Gasket Installation**

- Gasket should be placed flush with the front flange of the bottom plate.
- Gasket should stretch the entire width of the furnace in between the front casing flanges.
  1. Remove as much original gasket material as possible. Gasketing that is trapped in between the casing and the bottom plate does not need to be removed.
  2. Determine what length of gasket to cut by using Table 2.
  3. Remove backing from gasket and apply to top plate using the guidelines stated above.

**Unit Checkout**

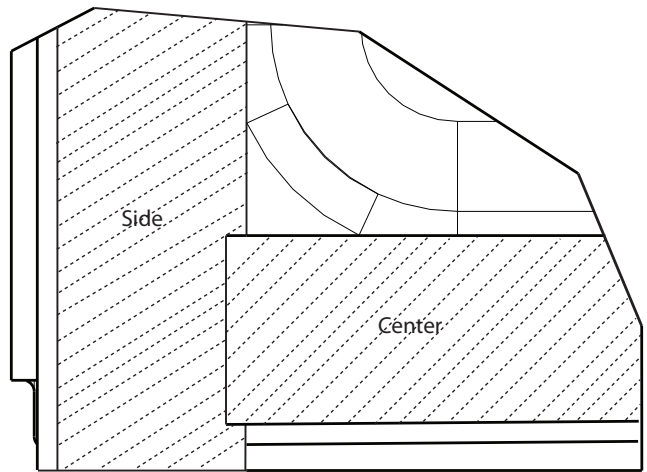
**NOTE:** As part of the system check-out, verify that the following conditions are not affecting the operation of the furnace:

- Short Cycling-Defective thermostat: Incorrect thermostat anticipator setting, dirty filter or over-sized furnace.
- Under firing/low btu input: Set manifold pressure and verify firing rate as shown on rating plate by clocking the gas meter.
- Over-firing/high btu input: Set manifold pressure and verify firing rate as shown on rating plate by clocking the gas meter.
- Low temperature rise: Set unit for correct temperature rise range as shown on unit rating plate.
- Contaminated combustion air: Remove contaminants or provide ample fresh air for combustion.
- Excessive amounts of outside ventilation air: Return air temperature cannot be below 60 degrees F for extended periods of time.
- Incorrect venting or termination: Recirculation of products of combustion into the combustion air pipe can damage the furnace. Verify proper venting and vent termination per installation instructions. For additional information, and a complete sequence of furnace operation, refer to furnace Installation, Start-Up and Operating Instructions.
- Verify furnace operates properly and set thermostat to desired room temperature.



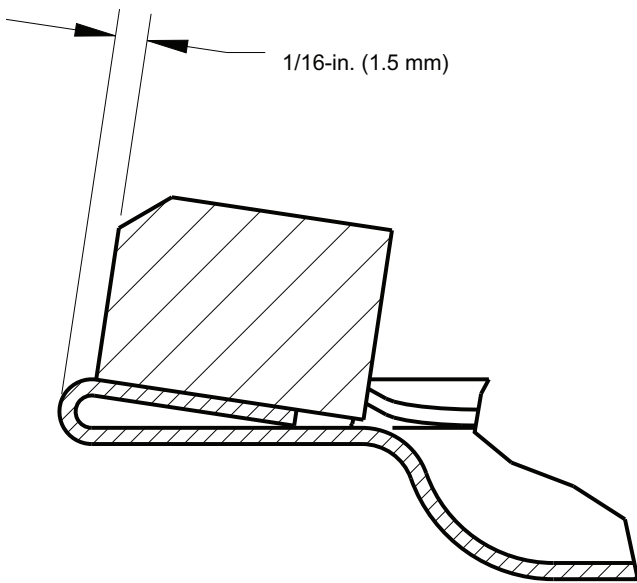
**Fig. 1 - Exploded View of Door Gaskets  
(Door contents and features will vary)**

A11452



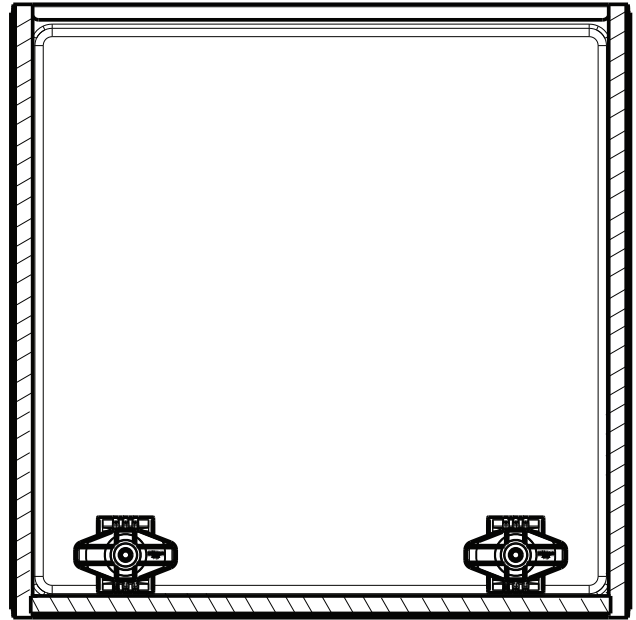
**Fig. 3 - Proper Gasket Placement in Door Corners**

A11454



**Fig. 2 - Proper Gasket Placement on Door Hem**

A11453



**Fig. 4 - Assembled Door with Gaskets**

A11455

