

**Part Number:
CPRFCURB012A00
CPRFCURB013A00**

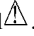
**SMALL PACKAGED PRODUCT (SPP)
ACCESSORY ROOFCURBS**

Installation Instructions

SAFETY CONSIDERATIONS

Installation and servicing of this equipment can be hazardous due to mechanical and electrical components. Only trained and qualified personnel should install, repair, or service this equipment. Untrained personnel can perform basic maintenance functions such as cleaning and replacing air filters. All other operations must be performed by trained service personnel. When working on this equipment, observe precautions in the literature, on tags, and on labels attached to or shipped with the unit and other safety precautions that may apply.

Follow all safety codes. Installation must be in compliance with local and national building codes. Wear safety glasses, protective clothing, and work gloves. Have fire extinguisher available. Read these instructions thoroughly and follow all warnings or cautions included in literature and attached to the unit.

Recognize safety information. This is the safety alert symbol . When you see this symbol on the unit and in instructions or manuals, be alert to the potential for personal injury. Understand these words: DANGER, WARNING, and CAUTION. These words are used with the safety alert symbol. DANGER identifies the most serious hazards with **will** result in severe personal injury or death. WARNING signifies hazards which **could** result in personal injury or death. CAUTION is used to identify unsafe practices which **may** result in minor personal injury or product and property damage. NOTE is used to highlight suggestions which **will** result in enhanced installation, reliability, or operation.

Consult local building codes, the current editions of the National Fuel Gas Code (NFPA 54/ANSI Z223.1, and the National Electrical Code (NEC) NFPA 70.

In Canada refer to the current editions of the National Standards of Canada CAN/CSA-B149.1 and .2 Natural Gas and Propane Installation codes, and Canadian Electrical Code CSA C22.1

GENERAL

These curbs are designed to be used with the large cabinet SPP units.

Table 1 – Package Contents

DESCRIPTION	QTY
Curb Sides	2
Curb Ends	2
Deck Pan-Insulated	2
Long Support	1
Side Supports	2
Center Supports	2
Gasket 1/2-in. Thick	1
Gasket 1/4-in. Thick	1

Table 2 – Package Usage

CURB PART NUMBER	HEIGHT in. (mm)
CPRFCURB012A00	11 (279)
CPRFCURB013A00	14 (356)

INSTALLATION

WARNING

PERSONAL INJURY AND EQUIPMENT DAMAGE HAZARD

Failure to follow this warning could result in personal injury and/or damage to equipment.

Do not leave roof opening uncovered. If installation is not completed immediately after roof opening is cut and framed, provide an adequate temporary cover for the roof opening.

1. Before installing the roof curb, ensure that curb is located so that proper clearances are maintained. Ensure that roof structural integrity is capable of support weight of rooftop unit. Adding structural support to roof bracing maybe necessary. Check unit nameplate or units installation instructions for correct clearances.
2. Cut hole in roof for duct openings. (See Fig. 3.) It is not necessary to cut out the entire area of the roof curb.
3. Frame the roof curb opening to provide adequate structural support.
4. Assemble the roof curb. Bring together a curb side and a curb end. Insert the tabs in the curb end into the slots on the curb side. Press together until the pieces lock in place. It may be necessary to step on the top of the curb to lock the pieces in place. (See Fig. 1.)
5. Repeat for all four corners. If lifting the curb after assembly, hammer all corner tabs over to the side. (See Fig. 1.)
6. Install the insulated deck pan on the compressor side of the roof curb.

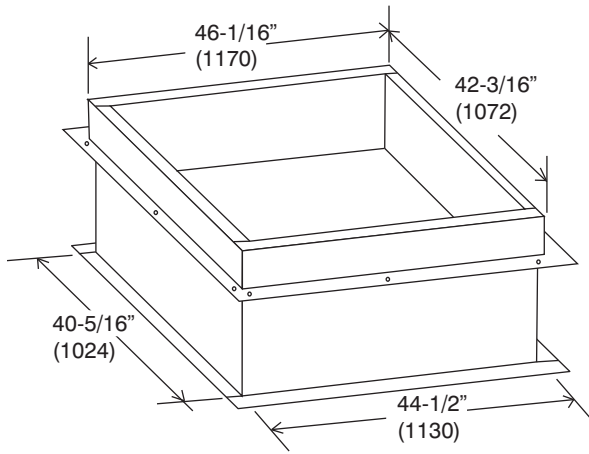
IMPORTANT: Gasketing is critical for water integrity. Improperly installed gasketing can result in air leaks and poor unit performance.

CAUTION

CUT HAZARD

Failure to follow this caution may result in personal injury.

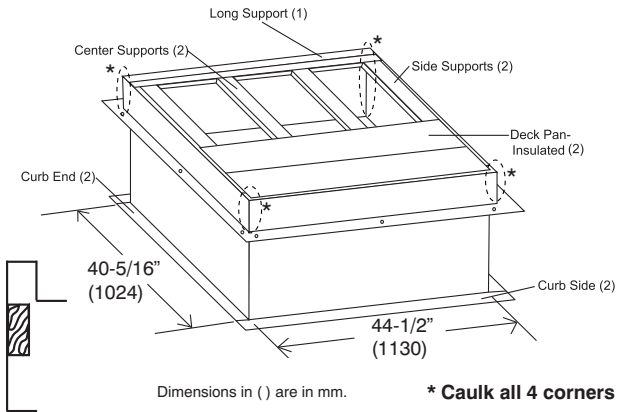
Sheet metal parts may have sharp edges or burrs. Use care and wear appropriate protective clothing, safety glasses and gloves when handling parts.



Dimensions in () are in mm.

A09675

Fig. 1 - Roof Curb Detail

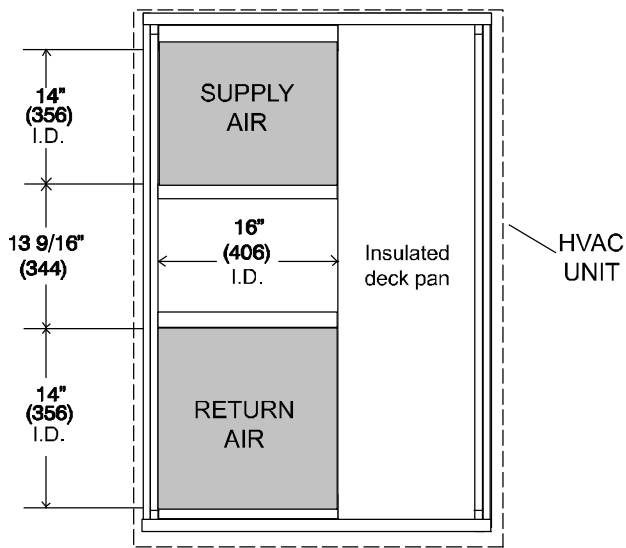


Dimensions in () are in mm.

* Caulk all 4 corners

A13179

Fig. 2 - Roof Curb Detail



Dimensions in () are in mm.

A10206

Fig. 3 - Large Cabinet

7. Install the long support on the side opposite of the deck pan (See Fig. 2 and 3).
8. Install the side supports on each end of the roof curb. (See Fig. 2 and 3).
9. Install the center supports to frame the supply and return duct openings. (See Fig. 2 and 3.)
10. Square up the roof curb and position over the duct openings cut in Step 2. Level the curb by placing shims (thin pieces of wood or metal) under the bottom flange of the curb. See Fig. 6 for unit leveling tolerances.
11. Secure the curb in place by welding or screwing curb to the roof (field supplied equipment required).
12. Caulk the vertical seams in all 4 corners as shown in Fig. 2.
13. Attach ductwork to the curb. Ductwork **MUST** be installed before unit is set in place.
14. Weatherproof and flash the roof curb per applicable codes.
15. Install provided 1/4-in. thick gasket seal on the outer/top perimeter of the roof curb. (See Fig. 4.)
16. Install provided 3/4-in. thick gasket seal around the duct openings. See Fig. 4. When installed, the weight of the unit will compress the gasket to seal the joint between the unit and the roof curb. Gasket strips must fit tightly together and leave no gaps for leakage.
17. Anchor the roof curb to the HVAC unit by installing screws up through the curb side flange and into the unit base rail. (See Fig. 5.)

⚠ CAUTION

EQUIPMENT DAMAGE HAZARD

Failure to follow this caution may result in property damage.

Do not slide unit into position when it is sitting on the curb. Curb gasketing material may be damaged and leaks may result.

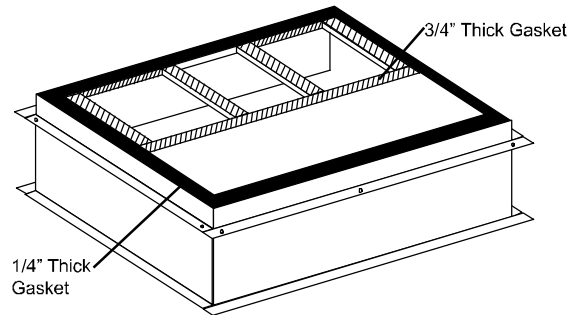


Fig. 4 - Gasket Detail

A09670

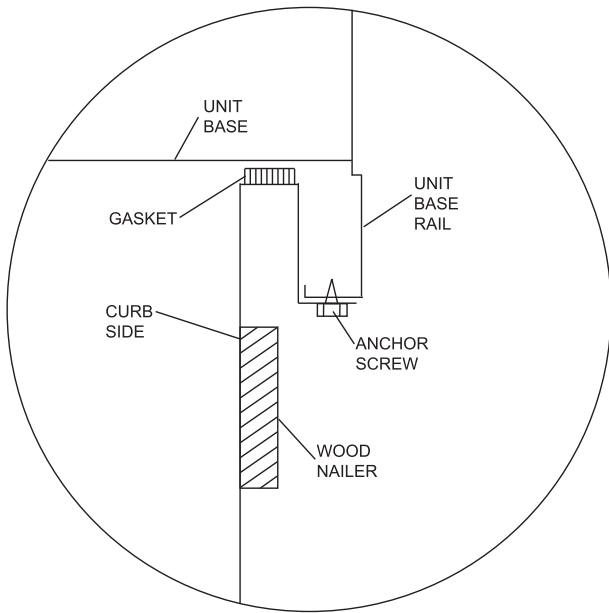
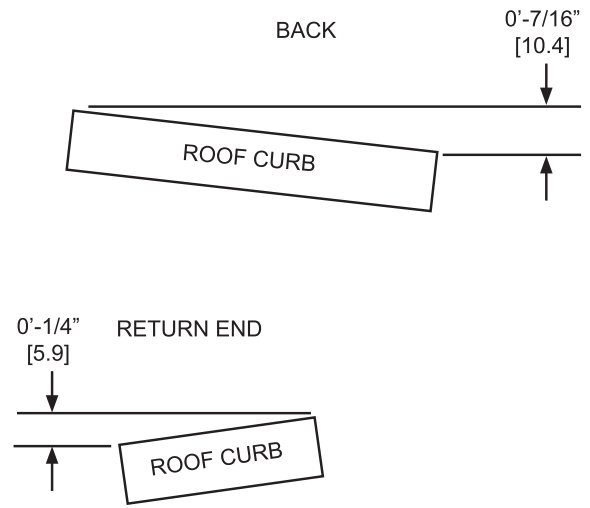


Fig. 5 - Roof Curb Detail

A09671



NOTE: Dimensions in [] are in mm.

Fig. 6 - Unit Leveling Tolerances

A09672

