



# Rooftop Units Gas Heating/Electric Cooling 3 to 12½ Tons Flue Discharge Deflector Accessory

## Installation Instructions

PART NO. CRFLUEDS001A00

### CONTENTS

	Page
<b>PACKAGE CONTENTS</b> .....	1
<b>MODEL USAGE</b> .....	1
<b>SAFETY CONSIDERATIONS</b> .....	1
<b>INSTALLATION</b> .....	2
<b>SERVICE</b> .....	4

**IMPORTANT:** Read these instructions completely before attempting to install this accessory.

### PACKAGE CONTENTS

QTY	CONTENTS
1	Flue Stack
2	Mounting Brackets
6	10 -16 x 1 in. Self-Drilling Screws
1	Adapter Plate (Part no. 50HJ502222)
1	Adapter Plate (Part no. 50HJ502223)

### MODEL USAGE

ACCESSORY PART NUMBER	USAGE
CRFLUEDS001A00	48FC*04-07
	48GC*04-06
	48TC*04-14
	48HC*04-12
	48LC*04-07
	48KC*04-06
	582K*04-07
	581K*04-06
	580J*04-14
	581J*04-12
	582J*04-06
	RGV036-072
	RGW036-060
	RGS036-150
	RGH036-120
	RGX036-060

**NOTE:** This accessory can only be installed on units produced after January 1992.

### SAFETY CONSIDERATIONS

Improper installation, adjustment, alteration, service, maintenance, or use can cause explosion, fire, electrical

shock or other conditions which may cause personal injury or property damage. Consult a qualified installer, service agency, or your distributor or branch for information or assistance. The qualified installer or agency must use factory-authorized kits or accessories when modifying this product. Refer to the individual instructions packaged with the kits or accessories when installing.

Follow all safety codes. Wear safety glasses and work gloves. Use quenching cloths for brazing operations and have a fire extinguisher available. Read these instructions thoroughly and follow all warnings or cautions attached to the unit. Consult local building codes and appropriate national electrical codes (in USA, ANSI/NFPA70, National Electrical Code (NEC); in Canada, CSA C22.1) for special requirements.

It is important to recognize safety information. This is the safety-alert symbol . When you see this symbol on the unit and in instructions or manuals, be alert to the potential for personal injury.

Understand the signal words DANGER, WARNING, CAUTION, and NOTE. These words are used with the safety-alert symbol. DANGER identifies the most serious hazards which will result in severe personal injury or death. WARNING signifies hazards which could result in personal injury or death. CAUTION is used to identify unsafe practices, which **may** result in minor personal injury or product and property damage. NOTE is used to highlight suggestions which **will** result in enhanced installation, reliability, or operation.

**WARNING**

**ELECTRICAL SHOCK HAZARD**

Failure to follow this warning could cause personal injury or death.

Before performing service or maintenance operations on unit, always turn off main power switch to unit and install lock(s) and lockout tag(s). Unit may have more than one power switch.

**WARNING**

**FIRE, EXPLOSION HAZARD**

Failure to follow this warning could cause personal injury or death.

Before beginning any modification, close the main gas supply shutoff valve. Tag gas valve with suitable warning labels.

**⚠ WARNING**

**FIRE, EXPLOSION HAZARD**

Failure to follow this warning could cause personal injury or death.

Disconnect gas piping from unit when leak testing at pressure greater than 0.5 psig (3450 Pa). Pressures greater than 0.5 psig (3450 Pa) will cause gas valve damage resulting in hazardous condition. If gas valve is subjected to pressure greater than 0.5 psig (3450 Pa), it must be replaced before use. When pressure testing field-supplied gas piping at pressures of 0.5 psig (3450 Pa) or less, a unit connected to such piping must be isolated by closing the manual gas valve.

**⚠ CAUTION**

**CUT HAZARD**

Failure to follow this caution may result in personal injury.

Sheet metal parts may have sharp edges or burrs. Use care and wear appropriate protective clothing, safety glasses, and gloves when handling parts and servicing furnaces.

**INSTALLATION**

NOTE: These instructions apply to 3 to 12 1/2 ton units with R-410A refrigerant only.

1. Remove first screw from bottom of center post on unit. Save screw for later use.
2. Small Chassis Units (length 74-3/8 in. [1888 mm])  
Install adapter plate (part no. 50HJ502223 — see Fig. 1) by sliding it over the existing flue duct. Secure the adapter plate using the screw removed by Step 1. Screw should be installed through hole in adapter plate.

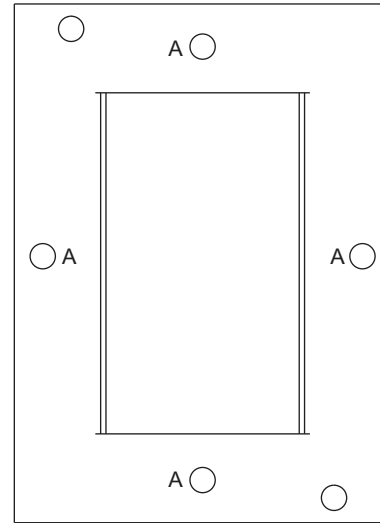
All Other Units

Install adapter plate (part no. 50HJ502222 — see Fig. 1) by sliding it over the existing flue duct. Secure the adapter plate using the screw removed in Step 1. Screw should be installed through hole in adapter plate.

NOTE: Part no. 50HJ502222 has larger diameter “A” holes than part no. 50HJ502223.

3. Attach mounting brackets to flue stack. See Fig. 2.  
Bracket A — Position as shown in Fig. 2. Remove fourth screw from top of flue stack and save. Fasten the bracket to the flue stack with screw that was just removed. The slotted portion of the bracket should be pointed away from the installer.  
Bracket B — Position as shown in Fig. 2. Remove top screw from the flue stack and save. Fasten the bracket to the flue stack with screw that was just removed. The slotted portion of the bracket should be pointed away from the installer.
4. Remove the two screws in the center post that are attached to the top cover. Remove the second screw from the bottom on the center post. Save all screws. See Fig. 3.

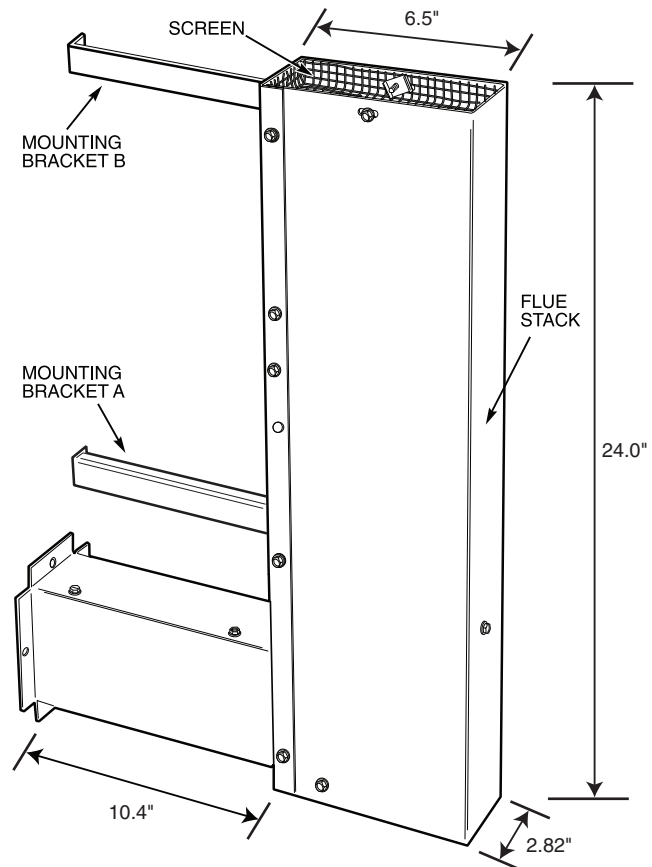
5. Mount the flue discharge deflector to unit by fastening the horizontal leg of the flue stack to the adapter plate using three supplied no. 10 self-drilling screws. Line up the slots in brackets A and B with the holes from the screws removed in Step 4. Reinstall screws from Step 4. See Fig. 4.



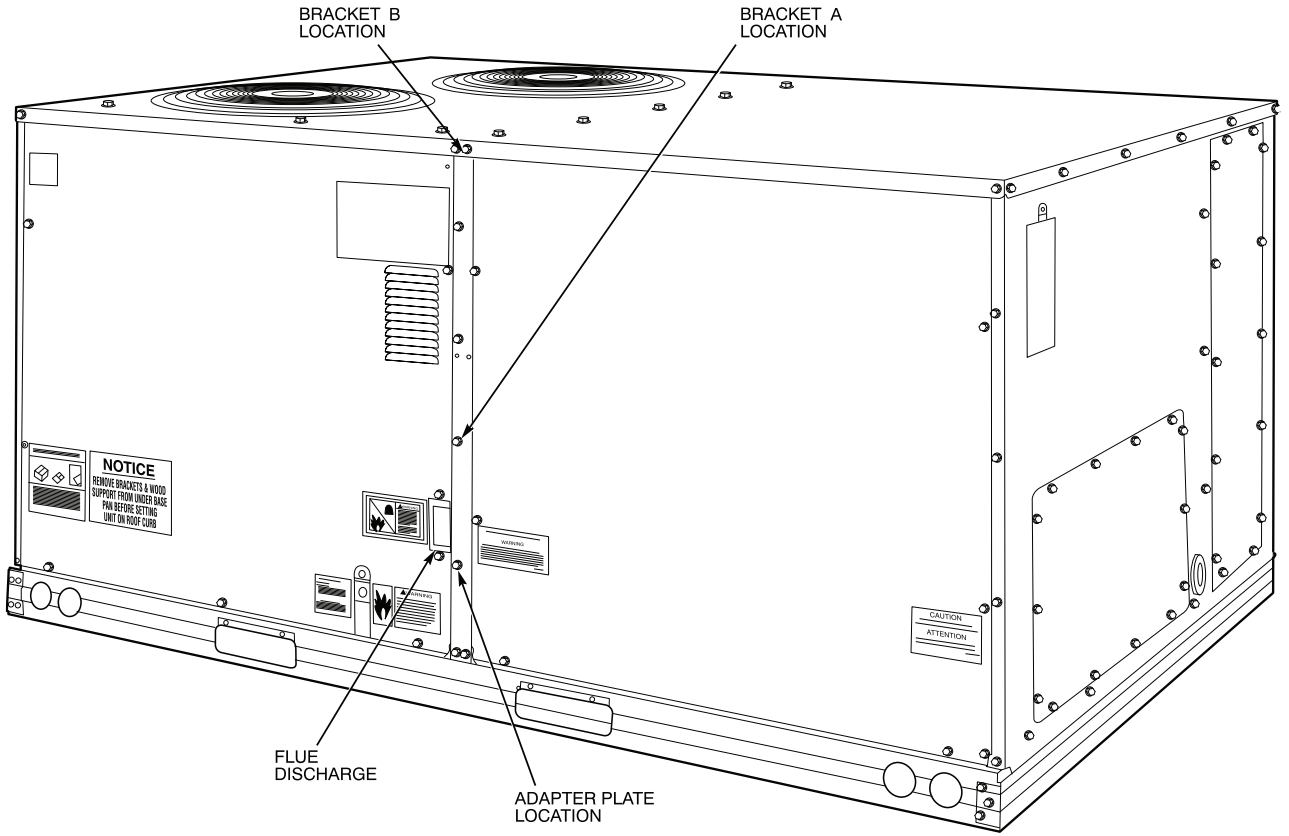
Part Number	Dia. "A"
50HJ502222	0.280 (7.11)
50HJ502223	0.154 (3.91)

NOTE: Dimensions are in inches. Dimensions in ( ) are in millimeters.

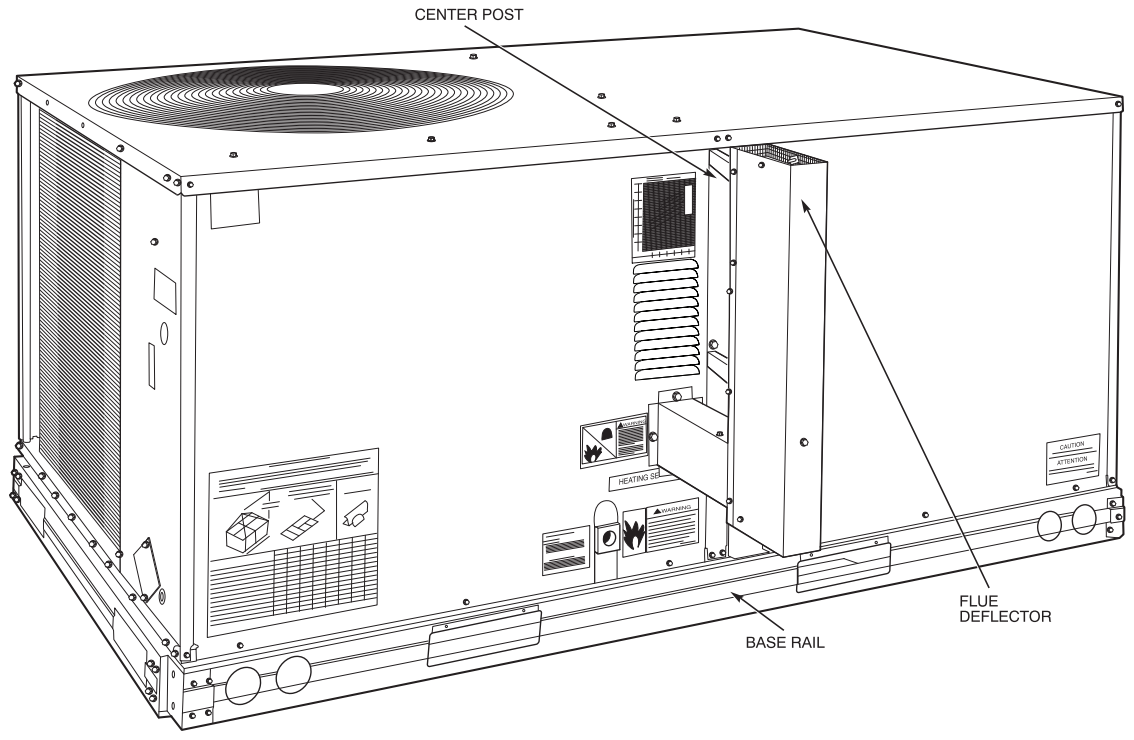
**Fig. 1 — Adapter Plate—Diameter “A” Details**



**Fig. 2 — Flue Discharge Deflector Assembly**



**Fig. 3 — Flue Discharge Deflector Mounting Position**



**Fig. 4 — Installation of Flue Discharge Deflector on 3 to 12½ Ton Units**

## SERVICE

Remove and clean screen periodically to ensure proper airflow and heating efficiency. Inspect full length of flue stack for any blockages which could impair flue performance. Inspect every fall, and periodically during heating season.