

**SMALL ROOFTOP UNITS
ACCESSORY LOUVERED HAIL GUARD
GAS HEATING/ELECTRIC COOLING,
ELECTRIC COOLING AND HEAT PUMP UNITS
3 to 15 TONS
SIZES 04 TO 16 AND 036 TO 180**

Installation Instructions

**CRLVHLGD004A00, CRLVHLGD011A00-CRLVHLGD016A00,
CRLVHLGD020A00-CRLVHLGD022A00, CRLVHLGD023B00,
CRLVHLGD024A00, CRLVHLGD032A00, CRLVHLGD045A00**

PACKAGE USAGE

| ROOFTOP UNIT MODEL | HAILGUARD |
|---|---|
| 50TCQ08- 12 | 548J*08- 12 CRLVHLGD004A00 |
| 48/50KC*05 (3- Phase) 48/50TC*04 50TCQA04 | 582J*05/559J*05 (3- Phase) 580J*04/558J*04 548J*04 CRLVHLGD011A00 |
| 50HCQ 04 48/50KC*04 48/50KC*05 (1- Phase) 48/50TC*05- 06 50KCQ*04 50TCQA05 48LC/50LC*04 48/50HC*04 | 549J 04 582J*04/559J*04 582J*05/559J*05 (1- Phase) 580J*05- 06/558J*05- 06, 547J*04 548J*05 CRLVHLGD012A00 |
| 50HCQ 05- 06 48/50KC*06 (1- Phase) 50KCQ*05- 06 48/50TC*07 50TCQA07 48/50LC*05- 06 48/50HC*05- 06 | 549J 05- 06 582J*06/559J*06 (1- Phase) 547J*05- 06 580J*07/558J*07, 548J*07 CRLVHLGD013A00 |
| 50HCQ 07 48/50TC*A, D 08† 48/50HC*07 | 549J 07 580J*08†/558J*08† 581J*07/551J*07 CRLVHLGD014A00 |
| 48/50TC*A09† | 580J*09(A,C)†/558J*09(A)† CRLVHLGD015A00 |
| 50HCQ 08- 09 48/50LC*07 48/50TC- D09†, 48/50TC*A,D12†, 48/50TC*D14† | 549J 08- 09 580J*09(D,F,K,M)†/580J*12†, 580J*14 (D,F,K,M)†/ 558J*09(D,K)† 558J*12†, 558J*14(D,K)† CRLVHLGD016A00 |
| 48/50HC*08- 12 | 581J*08- 12/551J*08- 12 |
| 48/50TC*D08 | 580J*08(D,F)/558J*08D CRLVHLGD020A00 |
| 48/50TC*D12 | 580J*12(D,F)/558J*12D CRLVHLGD021A00 |
| 48/50TC*D14 | 580J*14(D,F)/558J*14(D) CRLVHLGD022A00 |
| 50TCQA06 | 548J*06 CRLVHLGD023B00 |
| 48/50LC*08 50TCQ14 | 548J*14 CRLVHLGD024A00 |
| 50HCQ12 48/50LC*09- 12 48/50TC*16† 48/50HC*14 | 549J 12 580J*16†/558J*16† 581J*14/551J*14 CRLVHLGD032A00 |
| 48/50KC*06 (3- Phase) | 582J*06/559J*06 (3- Phase) CRLVHLGD045A00 |

† Round tube plate fin outdoor coil only

PACKAGE USAGE (cont)

| ROOFTOP UNIT MODEL† | HAILGUARD |
|--|----------------|
| RHS090- 120 | CRLVHLGD004A00 |
| RGS/RAS036, RGX/RAX048 (3- Phase), RHS036 | CRLVHLGD011A00 |
| RGS/RAS048- 060, RHX036, RGX/RAX036, RGX/RAX048 (1- Phase), RHS048, RHH 036, RGH/RAH036 | CRLVHLGD012A00 |
| RGS/RAS072, RHS072, RGX/RAX060 (1- Phase), RGH/RAH048- 060 RHH 048- 060, RHX048, 060 | CRLVHLGD013A00 |
| RGS/RAS090, 091, RGH/RAH072, RHH 072 | CRLVHLGD014A00 |
| RGS/RAS101 | CRLVHLGD015A00 |
| RGS/RAS102, RGS/RAS121.120, RGS/RAS150, RGH/RAH090 102, 120, RHH 090- 102 | CRLVHLGD016A00 |
| RHS060 | CRLVHLGD023B00 |
| RHS150 | CRLVHLGD024A00 |
| RGS/RAS180, RGH/RAH150, RHH 120 | CRLVHLGD032A00 |
| RGX/RAX060 (3- Phase) | CRLVHLGD045A00 |

† Round tube plate fin outdoor coil only

PACKAGE CONTENTS

| QTY | CONTENTS |
|---------------------|-------------------------|
| 1 | Outside coil side panel |
| 1 | Outside coil end panel |
| 1 | Control box side panel* |
| 10 | Plastic inserts* |
| Varies based on kit | Screws |


* CRLVHLGD024A00 and 032A00

SAFETY CONSIDERATIONS

Installation and servicing of air-conditioning equipment can be hazardous due to system pressure and electrical components. Only trained and qualified service personnel should install, repair, or service air-conditioning equipment.

Untrained personnel can perform basic maintenance functions of cleaning coils and filters and replacing filters. All other operations should be performed by trained service personnel. When working on air-conditioning equipment, observe precautions in the literature, tags and labels attached to the unit, and other safety precautions that may apply.

Follow all safety codes. Wear safety glasses and work gloves.

Recognize safety information. This is the safety-alert symbol . When you see this symbol on the unit and in instructions or manuals, be alert to the potential for personal injury.

Understand the signal words DANGER, WARNING, and CAUTION. These words are used with the safety-alert symbol. DANGER identifies the most serious hazards which **will** result in severe personal injury or death. WARNING signifies a hazard which **could** result in personal injury or death. CAUTION is used to identify unsafe practices which **may** result in minor personal injury or product and property damage. NOTE is used to highlight suggestions which **will** result in enhanced installation, reliability, or operation.



WARNING

ELECTRICAL OPERATION HAZARD

Failure to follow this warning could result in personal injury or death.

Before performing service and maintenance operations on unit, turn off main power switch to unit. If gas unit, shut off gas supply before shutting off main power.

TAG DISCONNECT SWITCH WITH A
SUITABLE LOCK AND WARNING LABEL.

IMPORTANT: Read these instructions completely before attempting to install the accessory louvered hail guard.

GENERAL

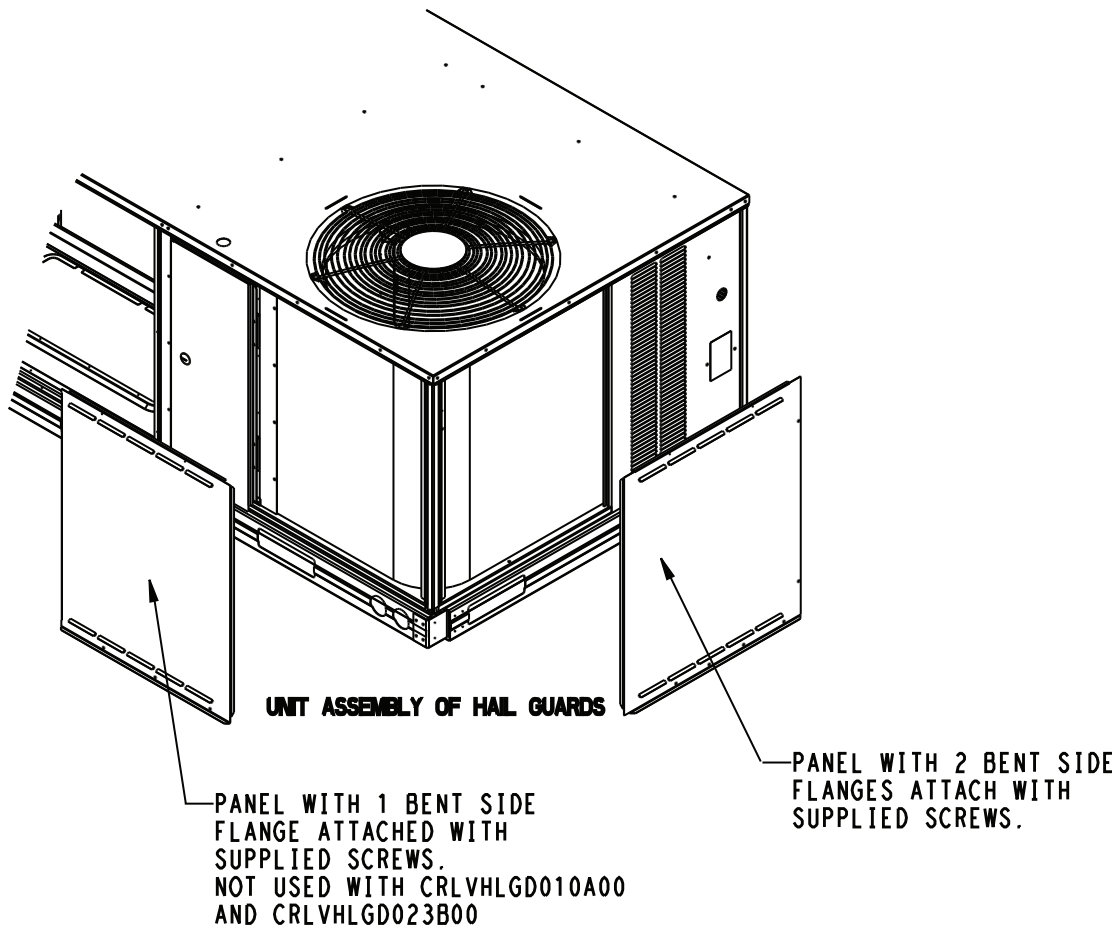
Louvered hail guard packages are designed to protect the rooftop unit condenser coil from hail and general contact damage. Excessive damage to rooftop unit outdoor coils can result in diminished performance due to reduced air flow over the heat transfer surfaces.

INSTALLATION

(FOR ALL KITS EXCEPT CRLVHLGD024A00 AND 032A00)

1. Verify the correct hail guard part number is provided for the desired rooftop unit size. See Package Usage section above.
2. Remove the screws in the top panel of the rooftop unit above the condenser coil. Save the screws.
3. Remove the screws at the base of the outdoor coil where the hailguard panel will be installed. Save the screws.

4. Align the hailguard panel with the respective section of the outdoor coil and insert the top edge of the panel under the lip of the top panel. (See Fig. 1.)
5. Re-insert top and bottom screws from Steps 2 and 3 to hold the hailguard in place.
6. Insert side screws from the kit through the holes in the side(s) of the hailguard panels. The provided self tapping screws may be required for these screws.



**Fig. 1 - Typical Louvered Hailguard Installation
(3-5 Ton Unit Shown)**

C12276

| PART NUMBER | FILTER PANEL | | | | END PANEL | | | |
|----------------|--------------|------|--------|-------|-----------|------|--------|-------|
| | TOP | LEFT | BOTTOM | RIGHT | TOP | LEFT | BOTTOM | RIGHT |
| CRLVHLGD004A00 | 2 | 0 | 3 | 0 | 3 | 0 | 7 | 6 |
| CRLVHLGD011A00 | 2 | 0 | 3 | 0 | 2 | 0 | 4 | 2 |
| CRLVHLGD012A00 | 2 | 0 | 3 | 0 | 2 | 0 | 5 | 3 |
| CRLVHLGD013A00 | 2 | 0 | 3 | 0 | 2 | 0 | 5 | 3 |
| CRLVHLGD014A00 | 2 | 0 | 3 | 0 | 3 | 0 | 7 | 5 |
| CRLVHLGD015A00 | 2 | 0 | 3 | 0 | 2 | 0 | 5 | 6 |
| CRLVHLGD016A00 | 2 | 0 | 3 | 0 | 3 | 0 | 7 | 6 |
| CRLVHLGD020A00 | SEE FIG. 2 | | | | | | | |
| CRLVHLGD021A00 | SEE FIG. 2 | | | | | | | |
| CRLVHLGD022A00 | SEE FIG. 2 | | | | | | | |
| CRLVHLGD023B00 | NA | | | | 2 | 0 | 5 | 2 |
| CRLVHLGD024A00 | SEE FIG. 3 | | | | | | | |
| CRLVHLGD045A00 | 2 | 0 | 3 | 0 | 3 | 0 | 4 | 2 |

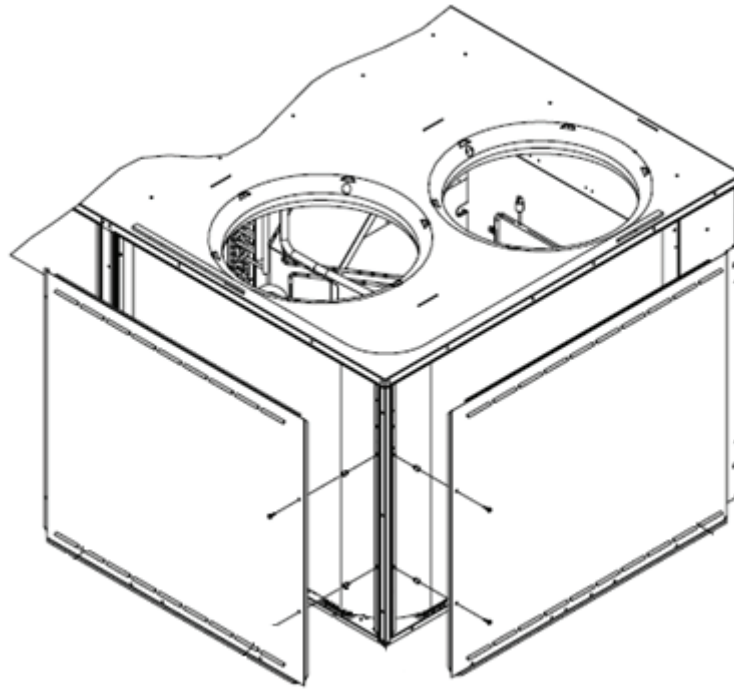


Fig. 2 - CRLVHLGD020A00, 021A00, and 022A00

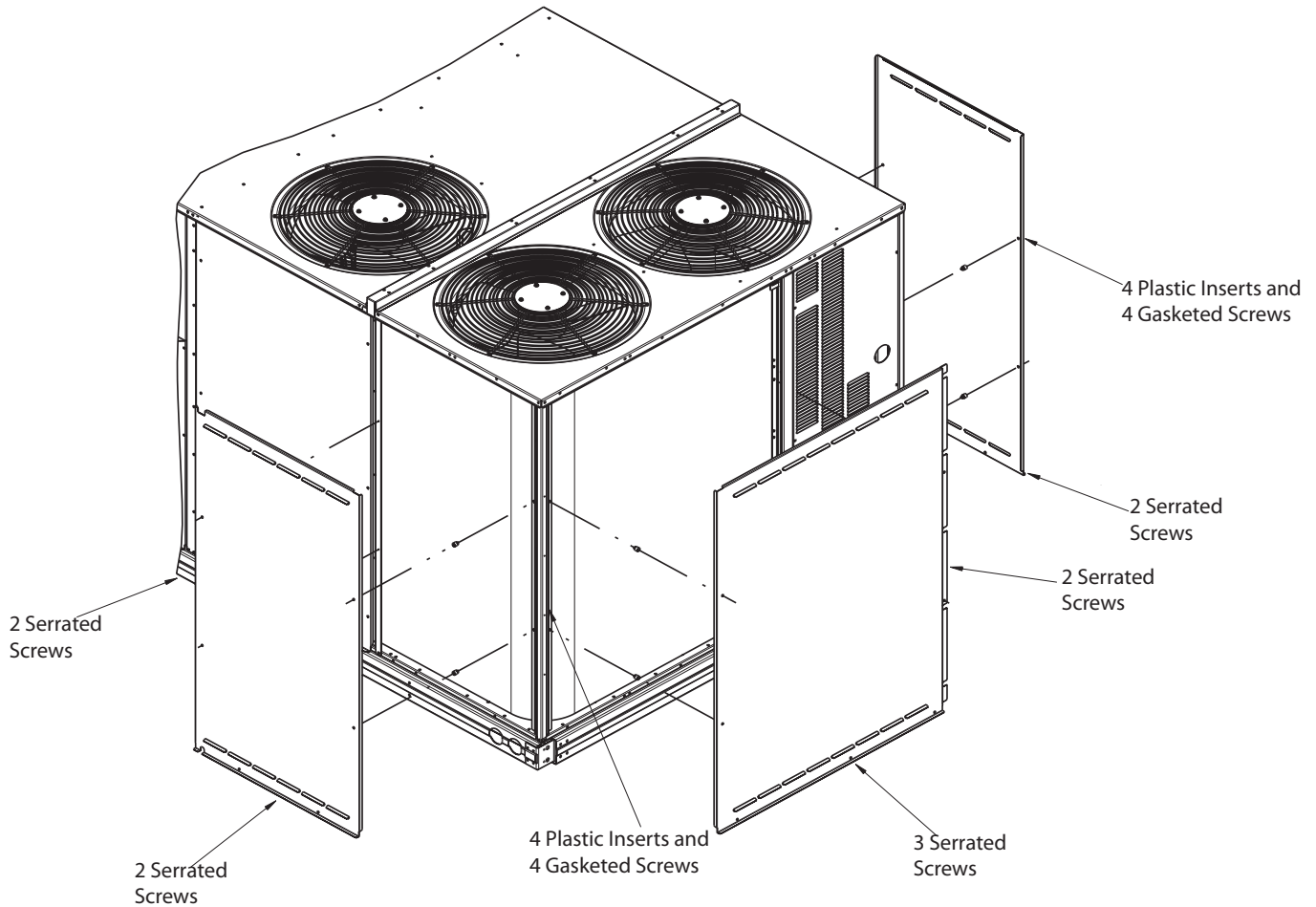
C13330

| PART NUMBER | FILTER PANEL | | | | END PANEL | | | |
|----------------|--------------|------|--------|-------|-----------|------|--------|-------|
| | TOP | LEFT | BOTTOM | RIGHT | TOP | LEFT | BOTTOM | RIGHT |
| CRLVHLGD020A00 | 0 | 4 | 4 | 2* | 0 | 2* | 7 | 2 |
| CRLVHLGD021A00 | 0 | 7 | 6 | 2* | 0 | 2* | 7 | 4 |
| CRLVHLGD022A00 | 0 | 3 | 3 | 2* | 0 | 2* | 7 | 3 |

* Plastic inserts and 7/8- in. long gasketed screws.

INSTALLATION FOR CRLVHLGD024A00, 032A00

1. Verify the correct hail guard part number is provided for the desired rooftop unit size. See Package Usage section above.
2. The units associated with this hailguard kit are shipped with a center post located on the end of the unit. It should have been removed during unit installation. This post is located approximately 1.5' from the left corner post on the end of the unit. Remove this post if it has not been removed already.
3. Insert plastic inserts into both corner posts (6 inserts) and center post (2 inserts) located by the control box as indicated in Fig. 3.
4. Align the hailguard panel with the respective section of the outdoor coil and insert the top edge of the panel under the lip of the top cover.
5. Use the long 7/8 gasketed screws to secure the hail guard in the plastic inserts (8 locations). Use the shorter serrated screws to secure the panels to the remaining holes in the vertical direction. Use shorter serrated screws to secure the panels along the bottom of the panels.



**Fig. 3 - Louvered Hailguard Installation
(CRLVHLGD024A00, 032A00)**

C10528

