

# Quick Connect Accessory Kit

For use with 230v IAQ Accessory and Fan Coils  
Kit Part Number KFAPS0110KIT

## Installation Instructions

Application Note: This kit enables the installer to easily connect a 230 volt IAQ Accessory (air purifier, GAPA; electronic air cleaner, EACB; or UV light, UVL) kit to a fan coil unit, eliminating the need to run a separate power supply to the accessory. Use of this kit may eliminate the requirement for a licensed electrician to complete the job (check local codes).

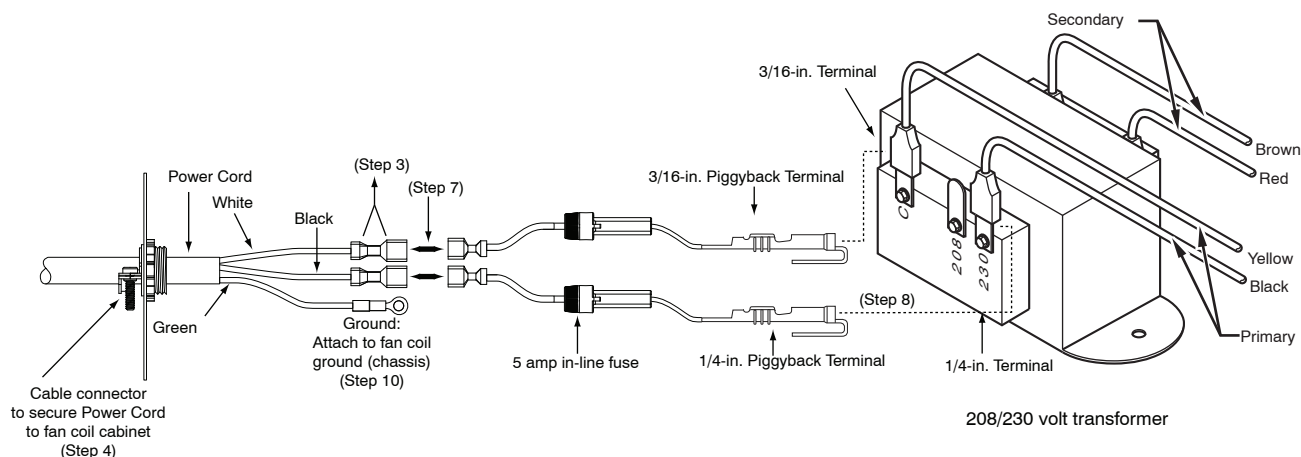



Fig. 1 - Connection of Transformer

A09616

**NOTE:** Read the entire instruction manual before starting the installation.

### SAFETY CONSIDERATIONS

Improper installation, adjustment, alteration, service, maintenance, or use can cause explosion, fire, electrical shock, or other conditions which may cause death, personal injury or property damage. Consult a qualified installer, service agency, or your distributor or branch for information or assistance. The qualified installer or agency must use factory-authorized kits or accessories when modifying fan coils. Refer to the individual instructions packaged with the kits or accessories when installing.

Recognize safety information. When you see this symbol  on the unit and in instructions or manuals, be alert to the potential for personal injury. Understand the signal words **DANGER**, **WARNING**, **CAUTION**, and **NOTE**. These words are used with the safety-alert symbol. **DANGER** identifies the most serious hazards which **will** result in severe personal injury or death. **WARNING** signifies hazards which **could** result in personal injury or death. **CAUTION** is used to identify unsafe practices which **may** result in minor personal injury or product and property damage. **NOTE** is used to highlight suggestions which **will** result in enhanced installation, reliability, or operation.

### INSTALLATION

Step 1 — Shut off power to fan coil control panel at main circuit breaker. More than one electrical (breaker) may power the control box. Be certain all power is removed prior to proceeding.

Step 2 — Cut off the electrical plug from the 230 volt IAQ accessory (air purifier, GAPA; electronic air cleaner, EACB; or UV light, UVL) and discard.

Step 3 — Remove service cord sheathing to expose insulated leads and ground lead approximately 6-in. (152 mm). Strip the ends 1/4-in. (6 mm) and install the insulated quick connect terminals on the power (black and white) leads and ring terminal on the ground lead (green) as shown in the figure above.

Step 4 — Install the cable connector as a strain-relief for the service cord in a knock-out near the transformer in the fan coil cabinet.

Step 5 — Remove the yellow and black primary wires from the transformer terminals.

Step 6 — Route the power leads from IAQ accessory through the strain-relief cable connector. Cord should be routed with sufficient slack to allow service of the coil section.

Step 7 — Connect the in-line fuse assemblies to the quick connects installed in Step 3.

Step 8 — Connect the quick connect multiple “piggyback” terminals of the in-line fused leads in this kit to the transformer terminals from which wires in Step 5 were removed.

Step 9 — Reconnect the yellow and black primary wires to their respective transformer terminals with the multiple “piggyback” terminals of the in-line fuse assembly connected in steps 7 and 8.

Step 10 — Connect the ground lead ring terminal installed on the power cord in Step 3 to the fan coil chassis.

Step 11 — Secure the power cord in the strain-relief cable connect installed in Step 4.

**IMPORTANT:** Route wiring so that coil service door can be removed.



## WARNING

### ELECTRICAL SHOCK HAZARD

Failure to follow this warning could result in personal injury or death.

Before installing or servicing unit, always turn off all power to unit. There may be more than 1 disconnect switch. Turn off accessory heater power, if applicable.



## CAUTION

### CUT HAZARD

Failure to follow this caution may result in personal injury.

Sheet metal parts may have sharp edges or burrs. Use care and wear appropriate protective clothing and gloves when handling parts.