

40,000-130,000 Btu/hr
Part Number:
CPLPCONV014A00

SMALL PACKAGED PRODUCTS
ACCESSORY PROPANE GAS CONVERSION KIT
HIGH ALTITUDE ONLY 2001-6000 FT (610-1829 m)

Installation Instructions

This kit is used on:

Two-Stage (2 - 5 Tons) Models: 48DU, 48DT, 48XL, 48XT, 577B, 577D, 677B, and 677D. (Two-Stage conversion starts on Page 2.)

Single-Stage (1-1/2 - 5 Tons) Models: 48ES, 48EZ, 48VL, 48VT, 574D, 577C, 674D, 677C, and PY3G. (Single-Stage conversion starts on Page 9.)


NOTE: Read the entire instruction manual before starting the installation.

SAFETY CONSIDERATIONS

Improper installation, adjustment, alteration, service maintenance, or use can cause explosion, fire, electrical shock, or other conditions which may cause death, personal injury, or property damage. Consult a qualified installer, service agency, or your distributor or branch for information or assistance. The qualified installer or agency must use factory-authorized kits or accessories when modifying this product. Refer to the individual instructions packaged with the kits or accessories when installing.

Follow all safety codes. Wear safety glasses, protective clothing, and work gloves. Have a fire extinguisher available. Read these instructions thoroughly and follow all warnings or cautions included in literature and attached to the unit. Consult local building codes, the current editions of the National Fuel Gas Code (NFGC) NFPA 54/ANSI Z223.1, and the National Electrical Code (NEC) NFPA 70.

In Canada refer to the current editions of the National Standards of Canada CAN/CSA-B149.1 and .2 Natural Gas and Propane Installation codes, and Canadian Electrical Code CSA C22.1

Recognize safety information. This is the safety-alert symbol . When you see this symbol on the unit and in instructions or manuals, be alert to the potential for personal injury. Understand these signal words: DANGER, WARNING, and CAUTION. These words are used with the safety-alert symbol. DANGER identifies the most serious hazards which **will** result in severe personal injury or death. WARNING signifies hazards which **could** result in personal injury or death. CAUTION is used to identify unsafe practices which **may** result in minor personal injury or product and property damage. NOTE is used to highlight suggestions which **will** result in enhanced installation, reliability, or operation.

WARNING

FIRE, EXPLOSION, CARBON MONOXIDE POISONING, PROPERTY DAMAGE HAZARD

Failure to follow this warning could result in personal injury, death or property damage.

This conversion kit shall be installed by a qualified service agency in accordance with the manufacturer's instructions and all applicable codes and requirements of the authority having jurisdiction. The qualified service agency is responsible for the proper installation of this kit. The installation is not proper and complete until the operation of the converted furnace is checked as specified in the manufacturer's instructions supplied in the kit.

AVERTISSEMENT

FEU, EXPLOSION, EMPOISONNEMENT PAR CARBON DE MONOXYDE, RISQUE DE DOMMAGE À LA PROPRIÉTÉ

La négligence de suivre l'avis suivant, peut causer des blessures personnelles, la mort ou du dommage à la propriété.

Cette trousse de conversion doit être installée par un Entrepreneur qualifié, selon les instructions du fabricant et doit se conformer à toutes les exigences et tout les codes pertinents de l'autorité compétente. L'Entrepreneur qualifié est responsable, et doit s'assurer de bien suivre les instructions dans cet avis. L'installation sera considérée conforme et rencontrant les spécifications et instructions du fabricant qui sont inclus dans la trousse, seulement après vérification de l'opération de la fournaise convertie.

CAUTION

UNIT OPERATION HAZARD

Failure to follow this caution may result in damage to unit components.

Before converting a unit to propane gas, remove the burner assembly and inspect the heat exchanger tubes. If there are V-shaped NOx baffles installed in the firing tubes, (see Fig. 1). **THEY MUST BE REMOVED PRIOR TO CONVERTING THIS UNIT TO PROPANE GAS.**

Table 1 – Two-Stage Kit Contents

ITEM	PART NO.	QUANTITY
Installation Instructions	IICPLPCONV – 11	1
Propane Gas Orifice #50*	LH32RF070	3
Propane Gas Orifice #51*	LH32RF067	3
Propane Gas Orifice #52*	LH32RF065	3
Propane Gas Orifice #53*	LH32RF060	3
Propane Gas Orifice #54*	LH32RF055	3
Propane Gas Orifice #56*	LH32RF047	3
Regulator Spring (92–0659)	EF39ZW023	2
Pressure Switch	HK02LB008	1
90° Elbow, 1/8 in. NPT	CA05RA001	2
Nipple, 1/8 in. NPT x 2 in. (51 mm)	CA01CA010	1
Close Pipe Nipple, 1/8 in. NPT x 3/4 in. (19 mm)	CA01CA001	2
Wire Harness	48DU400080	1
Propane Conversion Label (Rating Plate)	48VL500206	1
Propane Conversion Label (Installer Responsibility)	48VL500207	1
Propane Conversion Warning Label (Gas Valve)	48DU500076	1
Burner Insert	48GS5004651	3

*Refer to Table 4 to determine the correct orifice to use.

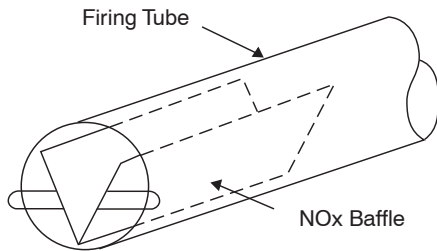


Fig. 1 - Low NOx Baffle Location

A01051

⚠ WARNING

ELECTRICAL SHOCK HAZARD

Failure to follow this warning could result in personal injury or death.

Before installing or servicing system, always turn off main power to system. There may be more than one disconnect switch. Tag disconnect switch with suitable warning label.

⚠ WARNING

EXPLOSION, PERSONAL INJURY HAZARD

Failure to follow this warning could result in personal injury or death.

This unit is designed to operate at a minimum 10.0 IN. W.C. of manifold pressure on high stage with propane gas. Refer to Table 4 for proper manifold pressure settings for high stage and low stage.

TWO-STAGE KIT INTRODUCTION

These instructions cover the installation of a propane gas conversion kit on models 48DT, 48DU, 48XL, 48XT, 577B, 577D, 677B and 677D that are equipped with a White Rodgers 2-stage combination automatic gas valve regulator.

DESCRIPTION AND USAGE

This Two-Stage kit is applicable to units with heating inputs from 40,000 to 130,000 Btu/hr installed at high altitudes from 2001 ft (610m) to 6000 ft (1829 m). It cannot be used for standard altitude installation. Standard altitude conversion (0-2001 ft) (0-610 m) must use kit CPLPCONV013A00.

TWO-STAGE KIT INSTALLATION

⚠ WARNING

FIRE, EXPLOSION, ELECTRICAL HAZARD

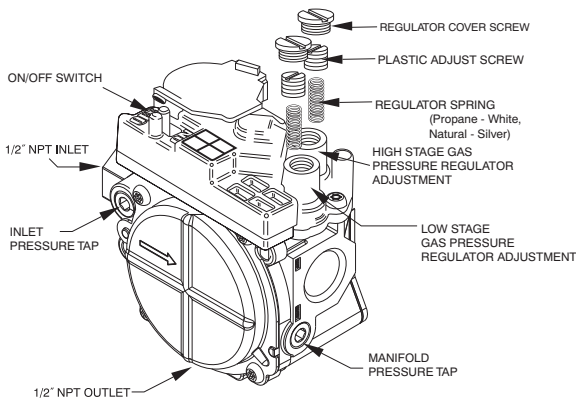
Failure to follow this warning could result in personal injury, death or property damage.

Gas supply **MUST** be shut off before disconnecting electrical power and proceeding with conversion.

1. Turn off gas supply first, then power to unit.
 2. Remove the front access panel from unit.
 3. Disconnect the gas pipe from the gas valve.
 4. Remove the screw attaching the gas manifold to the basepan, and partially slide out the entire burner rack assembly from unit. Save screw.
 5. Disconnect the gray, blue, brown and green/yellow wires from the gas valve and remove violet wires from the rollout switch.
- NOTE:** To locate rollout switch, see Fig. 8.
6. Disconnect orange sparker cable from the sparker.
 7. Disconnect white flame sensor wire from the flame sensor.
 8. Remove the screw securing the brown wire from the burner assembly. Save screw.
 9. Completely slide out the entire burner rack assembly from unit.
 10. Inspect the inlet of the heat exchanger tubes for presence of V-shaped NOx baffles (see Fig. 1). If baffles are present, they must be removed prior to converting unit for propane gas. Using needle-nose pliers, remove NOx baffles, squeeze sides of the baffle, if necessary, to remove from the heat exchanger tubes.
- IMPORTANT:** If it is expected that this unit will be converted back to natural gas at a later time, these baffles should be retained for reuse. Otherwise the baffles may be discarded.
11. Using a 5/16 in. nut driver, remove the four screws securing the manifold/gas valve assembly to the burner assembly. Save these screws.
 12. For 2-Stage 40,000 Btu/hr and 60,000 Btu/hr models only! Remove the burners from the rack, save the screws. Remove the snap ring from the end of each burner. Install burner insert in the end of each burner with the flat sides of the square vertical and horizontal. Replace the snap ring to retain burner insert (See Fig. 2 for correct orientation).

Replace the burners in the rack using the saved screws, making sure closed crossovers of burners are at each end.

13. Remove the natural gas orifices from the manifold using a 9/16 in. wrench and install the correct propane gas orifices in the manifold (See Table 4 to select correct orifice size based on rated input. See Fig. 3 and 6 for orifice installation).
14. Replace the manifold/gas valve assembly into the burner assembly using the four screws saved from item 11.
15. Remove the plug on the inlet end of the gas valve using a 3/16 in. hex wrench.
16. Install the 1/8 in. NPT x 3/4 in. (19 mm) close pipe nipple where the plug was removed (see Fig. 9). Use pipe thread dope or tape (field-supplied, must be certified for use with propane gas) for all joints, making sure not to get any excess in the pipe or valve. Next, install a 1/8 in. elbow, a 1/8 in. NPT x 3/4 in. (19 mm) close pipe nipple, 1/8 in. elbow, 1/8 in. x NPT 2 in. (51 mm) nipple, and a low gas pressure switch as shown in Fig. 9.
17. Remove regulator cover screws for both high and low stage gas regulators (see Fig. 2). Save regulator cover screws.



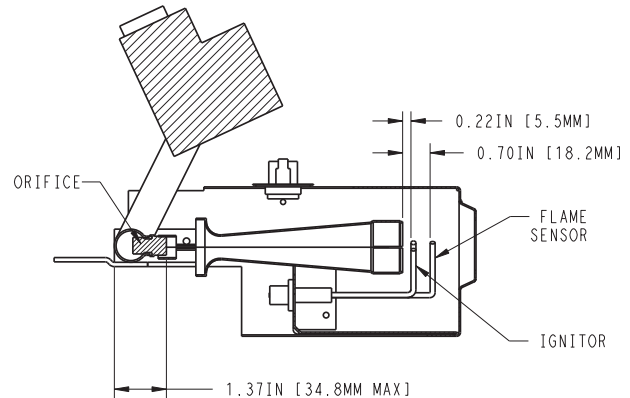
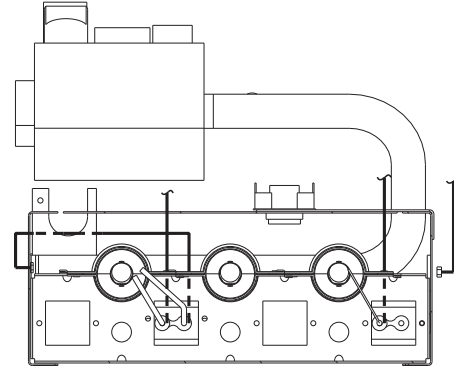
A07804

Fig. 2 - Two-Stage Gas Valve

18. Using a screwdriver, remove plastic adjust screws from both high and low stage gas regulators (see Fig. 2). Save plastic adjust screws.
19. Remove regulator springs (silver) from both high and low stage gas regulators (see Fig. 2). Discard regulator springs.
20. Install propane gas regulator springs (white) shipped with this kit. One into the low stage gas regulator and one into the high stage gas regulator (see Fig. 2).
21. Install plastic adjust screw into the high stage gas regulator. turn clockwise 13.5 turns (see Fig. 2).
22. Install plastic adjust screw into the low stage gas regulator. turn clockwise 9.5 turns (see Fig. 2).
23. Verify igniter, flame sensor, orifice/main burner relationship prior to completing conversion. (See Fig. 3.) Partially slide burner rack assembly into unit.
24. Disconnect the orange wire from the combustion air pressure switch and connect it to the orange wire on the low gas pressure switch (LGPS) equipped with a 1/4 in. male quick-connect terminal. The low gas pressure switch should have one unconnected orange wire remaining. Connect this wire to the vacant terminal on the combustion air pressure switch (see Fig. 10).
25. Reconnect the violet wires removed in item 5 to the rollout switch and reinstall the rollout switch.
26. Reconnect orange sparker cable to sparker and reconnect the white flame sensor wire to the flame sensor.
27. Reconnect the remaining wires removed in item 5 to the gas valve. Connect the gray wires to (HI). Connect the blue

wires to (M). Connect the brown and green/yellow wires to (C).

28. Reconnect the brown wire from the burner assembly to the sheet metal partition.
29. Slide burner rack assembly into base pan. Align burner rack with screws on sheet metal partition and slide assembly back tight to the partition. Replace the screw attaching the burner rack to the base pan removed in step 4.
30. Remove the 1/8 in. pipe plug on the gas manifold and connect a pressure manometer (see Fig. 4).



A07889

Fig. 3 - Two-Stage Igniter, Flame Sensor, Orifice/Main Burner Relationship

31. Reconnect electrical power and gas supply to the unit. For propane applications, the gas pressure must not be less than 11.0 IN. W.C. or greater than 13 IN. W.C. at the unit connection. A 1/8-in. NPT plugged tapping, accessible for test gauge connection, must be installed immediately upstream of the gas supply connection to the gas valve and downstream of manual equipment shutoff valve.

The newly installed low gas pressure switch is a safety device used to guard against adverse burner operating characteristics that can result from low gas supply pressure. Switch opens at not less than 6.5 IN. W.C. and closes at not greater than 10.2 IN. W.C.

This switch also prevents operation when the propane tank level is low which can result in gas with a high concentration of impurities, additives, and residues that have settled to the bottom of the tank. Operation under these conditions can cause harm to the heat exchanger system.

This normally open switch closes when gas is supplied to gas valve under normal operating pressure. The closed switch completes control circuit. Should an interruption or reduction in gas supply occur, the gas pressure at switch drops below low gas pressure switch setting, and switch opens. Any interruption in control circuit (in which low gas pressure switch is wired) quickly closes gas valve and stops gas flow to burners.

Table 2 – Two-Stage Sequence of Operations

Inducer Pre-Purge Period: When the inducer motor comes up on high speed, the pressure switch closes, and the Infinity™ ignition control on the furnace board begins a 15 sec pre-purge period. If the pressure switch fails to remain closed, the inducer will remain running. After the pressure switch recloses, the Infinity ignition control will begin a 15 sec pre-purge period.

Trial-for-Ignition Sequence: The spark igniter will spark for 3 sec, the main gas valve relay contact closes to energize the gas valve on low stage. After 5 sec, the igniter is de-energized and a 2-sec flame-proving period begins.

NOTE: The unit always lights on high speed inducer and low stage gas valve operation.

Flame-Proving: When the burner flame is proved at the flame-proving sensor, the furnace control determines what heating stage to run based on feedback from the User Interface (UI). If the UI is asking for low stage gas heat, the ignition control will change the inducer speed to low speed and keep the gas valve energized on low stage. If the UI is asking for high stage gas heat, the ignition control will maintain running the inducer on high speed and energize the gas valve's high stage relay to increase gas flow.

Table 3 – Two-Stage Rated Heating Input, Propane Gas (2001-6000 ft [610-1829 m] Altitude)

NAMEPLATE INPUT, HIGH STAGE (BTU/HR)	RATED HEATING INPUT PROPANE (BTU/HR)	
	HIGH STAGE	LOW STAGE
40,000	38,000	26,000
60,000	57,000	39,000
90,000	79,000	58,500
115,000	103,000	75,000
130,000	116,000	84,500

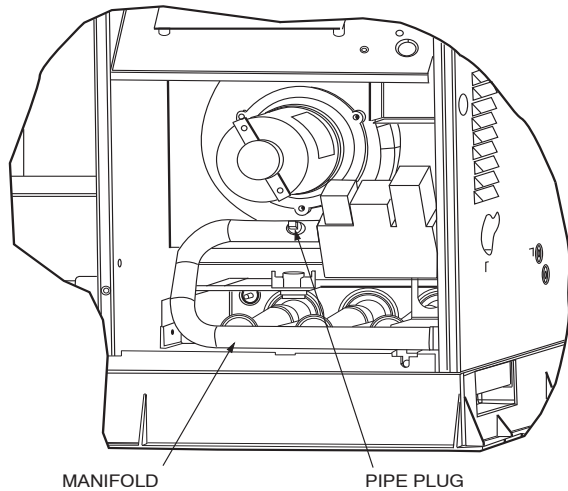


Fig. 4 - Two-Stage Burner Assembly

C99019

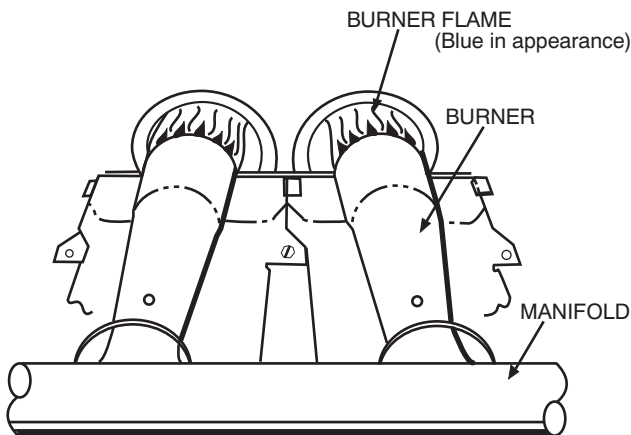


Fig. 5 - Monoport Burner

C99021

⚠ WARNING

FIRE AND EXPLOSION HAZARD

Failure to follow this warning could result in personal injury and/or property damage.

Never test for gas leaks with an open flame. Use a commercially available soap solution made specifically for the detection of leaks to check all connections.

IMPORTANT: Restart unit and leak check all gas connections including the main service connection, gas valve, gas spuds, and manifold pipe plug. All leaks must be repaired before firing unit.

32. Fire unit and verify proper ignition and proper sequence of operation (Table 2). See Table 4 for proper low stage and high stage manifold pressure settings for your unit. Adjust the gas valve setting for high and low stages by turning the plastic adjustment screws clockwise to increase pressure and counter-clockwise to decrease pressure for the respective stages. Refer to Table 3 for required rated heating input rates. Replace regulator cover screws when finished (see Fig. 2).
33. With burner access panel removed, observe unit heating operation in both low stage operation and high stage operation. Watch burner flames to see if they are blue in appearance, and that the flames are approximately the same for each burner (see Fig. 5).
34. Turn off unit, remove pressure manometer and replace the 1/8 in. pipe fitting on the gas manifold (see Fig. 4).
35. Attach warning label (P/N 48DU500076) to visible side of gas valve.
36. Attach conversion label (P/N 48VL500206) above unit rating plate on exterior of unit.
37. Attach completed conversion responsibility label (see Fig. 7, P/N 48VL500207) inside service access panel.

IMPORTANT: Restart unit and leak check all gas connections including the main service connection, gas valve, gas spuds, and manifold pipe plug.



WARNING

FIRE AND EXPLOSION HAZARD

Failure to follow this warning could result in personal injury and/or property damage.

Never test for gas leaks with an open flame. Use a commercially available soap solution made specifically for the detection of leaks to check all connections.

38. After all leaks are eliminated, replace service panel.

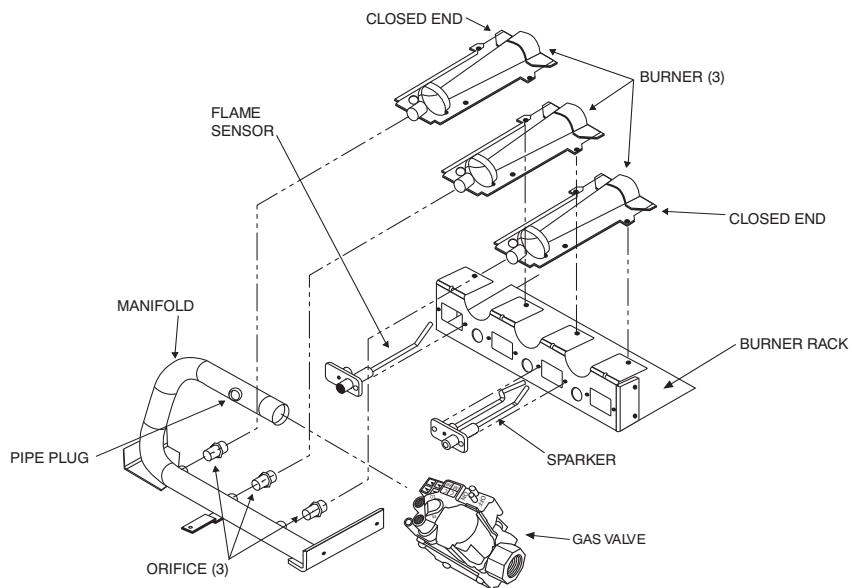


WARNING

EXPLOSION, PERSONAL INJURY HAZARD

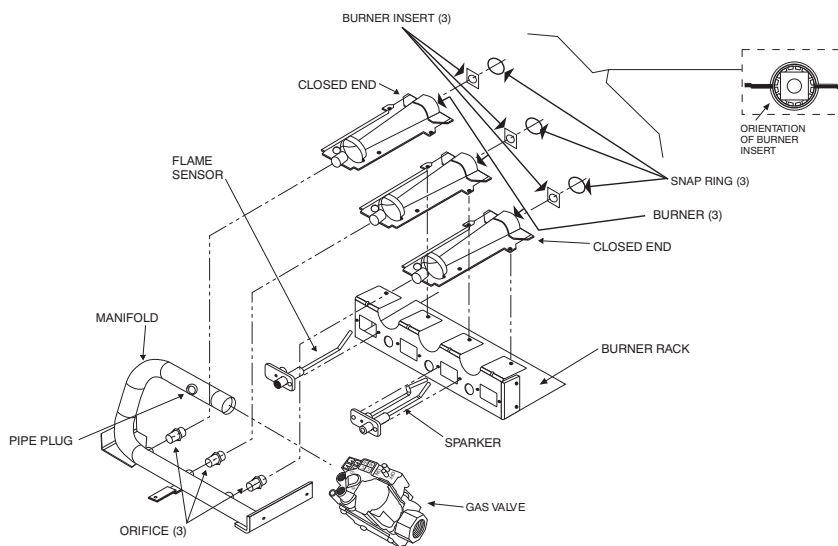
Failure to follow this warning could result in personal injury or death.

This unit is designed to operate at a minimum 10.0 IN. W.C. of manifold pressure with propane gas. Refer to Table 4 for proper manifold pressure settings.

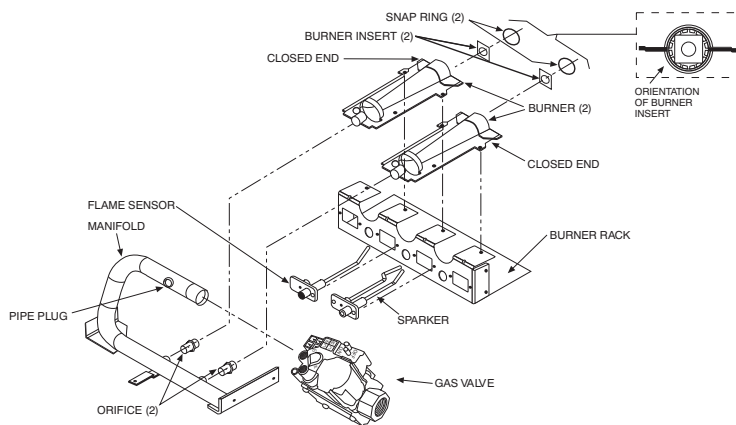


TWO-STAGE 90,000 BTUH TO 130,000 BTUH UNITS

A08565



TWO-STAGE 60,000 BTUH UNITS



TWO-STAGE 40,000 BTUH UNITS

Fig. 6 - Two-Stage Orifice Installation

A08509

Table 4 – Propane Gas Orifice Sizes and Manifold Pressures (IN. W.C.)

PROPANE CONVERSION KIT RATING PLATE - CARRIER CORP.

THIS APPLIANCE HAS BEEN CONVERTED TO USE PROPANE GAS FOR FUEL. REFER TO KIT INSTRUCTIONS FOR CONVERSION PROCEDURES. USE PARTS SUPPLIED BY CARRIER CORPORATION AND INSTALLED BY QUALIFIED PERSONNEL. SEE EXISTING RATING PLATE FOR APPLIANCE MODEL NO. AND INPUT RATING.

NOTE: Gas input rate on rating plate is for installations up to 2000 ft. (610m) above sea level. In U.S.A. the input rating for altitudes above 2000 ft. (610m) must be derated by 4% for each 1000 ft. (305m) above sea level. In Canada the input rating must be derated by 10% for altitudes of 2000 ft. to 4500 ft. (610 to 1372m) above sea level.

KIT NO. CPLPCONV013A00 (0 ~ 2000 ft. (0 ~ 610m) above sea level)

KIT NO. CPLPCONV014A00 (2001 ~ 6000 ft. (611 ~ 1829m) above sea level)

FUEL USED: PROPANE GAS INLET PRESSURE (min - max): 11.0 - 13.0 in. wc

APPLIANCE MODELS	NAMEPLATE INPUT, HIGH STAGE (Btu/hr)	Orifice Manifold High / No. Press. Low	ALTITUDE OF INSTALLATION (FT. m ABOVE SEA LEVEL) U.S.A. †				
			0 to 2000 ft. (0 to 610 m)	2001 to 3000 ft. (611 to 914 m) †	3001 to 4000 ft. (915 to 1219 m)	4001 to 5000 ft. (1220 to 1524 m)	5001 to 6000 ft. (1525 to 1829 m)
48DU, 48DT, 48XL, 48XT, 577B, 577D, 677B, 677D	40,000	Orifice Manifold High / No. Press. Low	55 10.0 / 5.0	56 11.0 / 6.0	56 11.0 / 5.5	56 11.0 / 5.0	56 10.7 / 4.8
48ES, 48EZ, 48VL, 48VT, 574D, 577C, 674D, 677C, PY3G	40,000	Orifice Manifold High / No. Press. Low	55 10.0 / NA	56 11.0 / NA	56 11.0 / NA	56 11.0 / NA	56 10.7 / NA
48DU, 48DT, 48XL, 48XT, 577B, 577D, 677B, 677D	60,000	Orifice Manifold High / No. Press. Low	55 10.0 / 5.0	56 11.0 / 6.0	56 11.0 / 5.5	56 11.0 / 5.0	56 10.7 / 4.8
48ES, 48EZ, 48VL, 48VT, 574D, 577C, 674D, 677C, PY3G	60,000	Orifice Manifold High / No. Press. Low	53 10.0 / NA	54 11.0 / NA	54 11.0 / NA	54 11.0 / NA	54 11.0 / NA
48ES, 48EZ, 48VL, 48VT, 574D, 577C, 674D, 677C, PY3G	90,000	Orifice Manifold High / No. Press. Low	53 10.0 / NA	54 11.0 / NA	54 11.0 / NA	54 11.0 / NA	54 11.0 / NA
48DU, 48DT, 48XL, 48XT, 577B, 577D, 677B, 677D	90,000	Orifice Manifold High / No. Press. Low	53 10.0 / 5.4	54 11.0 / 6.4	54 11.0 / 5.9	54 11.0 / 5.4	54 11.0 / 5.0
48DU, 48DT, 48XL, 48XT, 577B, 577D, 677B, 677D	115,000	Orifice Manifold High / No. Press. Low	51 10.0 / 5.4	52 11.0 / 5.0	52 10.6 / 4.8	53 11.0 / 6.1	53 11.0 / 5.5
48ES, 48EZ, 48VL, 48VT, 574D, 577C, 674D, 677C, PY3G	115,000	Orifice Manifold High / No. Press. Low	51 10.0 / NA	52 11.0 / NA	52 10.6 / NA	53 11.0 / NA	53 11.0 / NA
48DU, 48DT, 48XL, 48XT, 577B, 577D, 677B, 677D	130,000	Orifice Manifold High / No. Press. Low	49 10.0 / 5.4	50 11.0 / 4.8	51 11.0 / 4.9	52 11.0 / 5.2	52 11.0 / 5.0
48ES, 48EZ, 48VL, 48VT, 574D, 577C, 674D, 677C, PY3G	130,000	Orifice Manifold High / No. Press. Low	49 10.0 / NA	50 11.0 / NA	51 11.0 / NA	52 11.0 / NA	52 11.0 / NA

† For Canadian Installations from 2000 to 4500 ft. (610 to 1372 m) use U.S.A. column 2001 to 3000 ft. (611 to 914m)

NA = NOT APPLICABLE

48VL500206

CPLPCONV

THIS FURNACE WAS CONVERTED ON - - TO PROPANE GAS
(DAY - MONTH - YEAR)

KIT NO.: CPLPCONV013A00 (0 ~ 2000 ft. (0~610m) above sea level),
CPLPCONV014A00 (2001 ~ 6000 ft. (611~1829m) above sea level)

BY: _____

(Name and address of organization making this conversion), which accepts the responsibility that this conversion has been properly made.

CE GÉNÉRATEUR D'AIR CHAUD A ÉTÉ CONVERTI LE - - POUR
(JOUR - MOIS - ANNÉE)

DE L'ENSEMBLE N°:
CPLPCONV013A00 (0 ~ 2000 ft. (0~610m) above sea level),
CPLPCONV014A00 (2001 ~ 6000 ft. (611~1829m) above sea level)

PAR: _____

(nom et adresse de l'organisme qui a effectué la conversion), qui accepte l'entière responsabilité de la conversion.

48VL500207

Fig. 7 - Conversion Responsibility Label

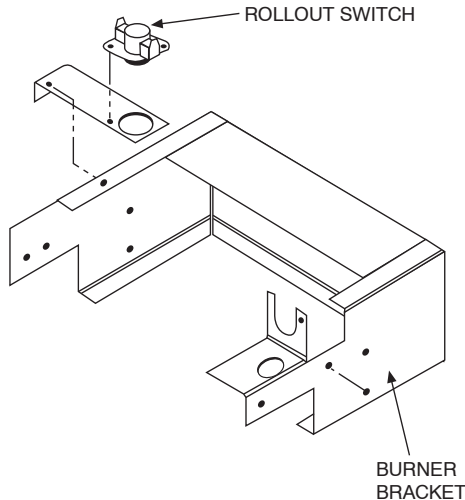


Fig. 8 - Two-Stage Burner Bracket

A08491

C00150

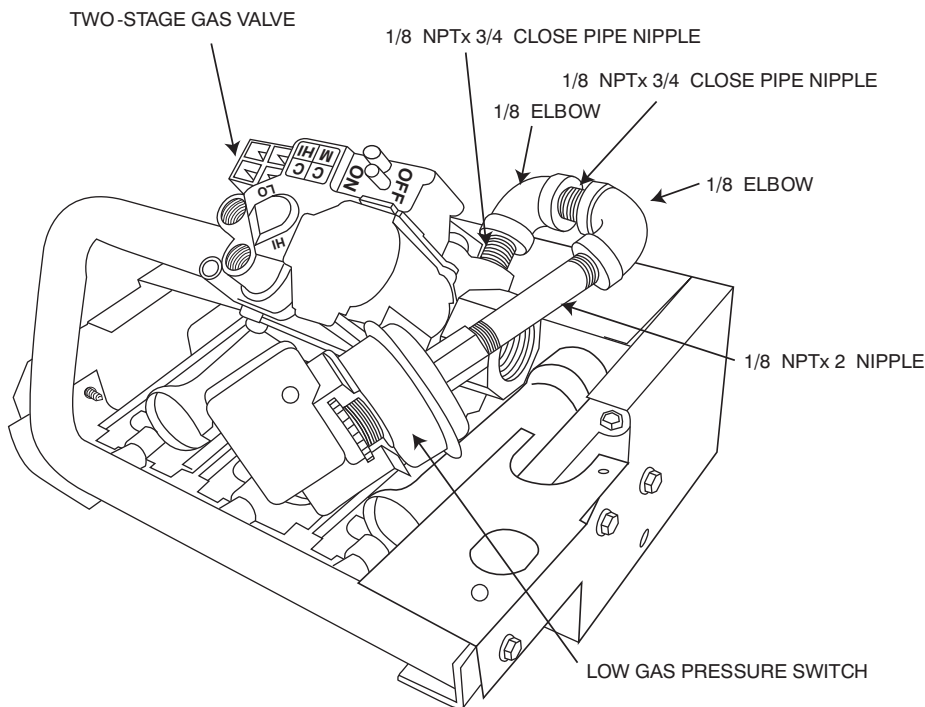
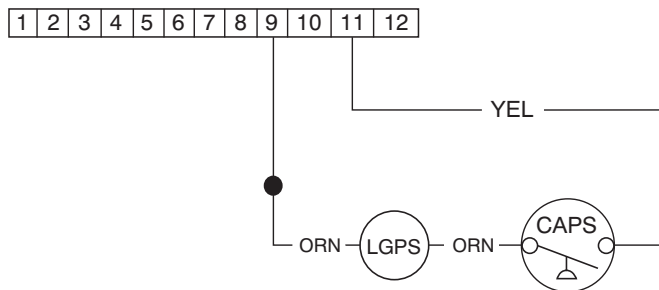


Fig. 9 - Installing Elbows, Nipples, and Pressure Switch on Two-Stage Units

A06488B

FURNACE CONTROL BOARD

PLUG P1



LEGEND

ORN = ORANGE

YEL = YELLOW

LGPS = LOW GAS PRESSURE SWITCH

CAPS = COMBUSTION AIR PRESSURE SWITCH

● = QUICK CONNECTION

Fig. 10 - Pressure Switch Wiring for Two-Stage Units

A06487

Table 5 - Single-Stage Kit Contents

ITEM	PART NO.	QUANTITY
Installation Instructions	I1KCP1PCONV-11	1
Propane Gas Orifice #50*	LH32RF070	3
Propane Gas Orifice #51*	LH32RF067	3
Propane Gas Orifice #52*	LH32RF065	3
Propane Gas Orifice #53*	LH32RF060	3
Propane Gas Orifice #54*	LH32RF055	3
Propane Gas Orifice #56*	LH32RF047	3
Regulator Spring (92-0659)	EF39ZW023	1
Pressure Switch	HK02LB008	1
90° Elbow, 1/8 in. NPT	CA05RA001	2
Nipple, 1/8 in. NPT x 2 in. (51 mm)	CA01CA010	1
Close Pipe Nipple, 1/8 in. NPT x 3/4 in. (19 mm)	CA01CA001	2
Wire Harness	48DU400080	1
Propane Conversion Label (Rating Plate)	48VL500206	1
Propane Conversion Label (Installer Responsibility)	48VL500207	1
Propane Conversion Warning Label (Gas Valve)	48DU500076	1

*Refer to Table 4 to determine the correct orifice to use.

SINGLE-STAGE KIT INTRODUCTION

These instructions cover the installation of a propane gas conversion kit on models 48ES, 48EZ, 48VL, 48VT, 574D, 577C, 674D, 677C and PY3G that are equipped with a White Rodgers single-stage automatic gas valve regulator.

DESCRIPTION AND USAGE

This single-stage kit is applicable to units with heating inputs from 40,000 to 130,000 Btu/hr installed at high altitudes from 2001 ft (610m) to 6000 ft. (1829 m). They cannot be used for standard altitude installation. Standard altitude conversion (0-2001 ft (0-610 m) must use kit CPLPCONV013A00.

SINGLE-STAGE KIT INSTALLATION

⚠ WARNING

FIRE, EXPLOSION, ELECTRICAL HAZARD

Failure to follow this warning could result in personal injury, death or property damage.

Gas supply **MUST** be shut off before disconnecting electrical power and proceeding with conversion.

⚠ WARNING

ELECTRICAL SHOCK HAZARD

Failure to follow this warning could result in personal injury or death.

Before installing or servicing system, always turn off main power to system. There may be more than one disconnect switch. Tag disconnect switch with suitable warning label.

1. Turn off gas supply first, then power to unit.
2. Remove the front access panel from unit.
3. Disconnect the gas pipe from the gas valve.
4. Remove the screw attaching the gas manifold to the basepan, and partially slide out the entire burner rack assembly from unit. Save screw.
5. Disconnect the gray and brown wires from the gas valve and remove blue wires from the rollout switch.

NOTE: To locate rollout switch, see Fig. 17.

6. Disconnect orange sparker cable from the sparker.
7. Disconnect yellow flame sensor wire from the flame sensor.
8. Remove the screw securing the brown wire from the burner assembly. Save screw.
9. Completely slide out the entire burner rack assembly from unit.
10. Inspect the inlet of the heat exchanger tubes for presence of V-shaped NOx baffles (see Fig. 1). If baffles are present, they must be removed prior to converting unit for propane gas. Using needle-nose pliers, remove NOx baffles, squeeze sides of the baffle, if necessary, to remove from the heat exchanger tubes.

IMPORTANT: If it is expected that this unit will be converted back to natural gas at a later time, these baffles should be retained for reuse. Otherwise the baffles may be discarded.

11. Using a 5/16 in. nut driver, remove the four screws securing the manifold/gas valve assembly to the burner assembly. Save these screws.
12. Remove the natural gas orifices from the manifold using a 9/16 in. wrench and install the correct propane gas orifices in the manifold (See Table 4 to select correct orifice size based on rated input. See Fig. 12 and 15 for orifice installation).
13. Replace the manifold/gas valve assembly into the burner assembly using the four screws saved from item 11.
14. Remove the plug on the inlet end of the gas valve using a 3/16 in. hex wrench.
15. Install the 1/8 in. NPT x 3/4 in. (19 mm) close pipe nipple where the plug was removed (see Fig. 18). Use pipe thread dope or tape (field-supplied, must be certified for use with propane gas) for all joints, making sure not to get any excess in the pipe or valve. Next, install a 1/8 in. elbow, a 1/8 in. NPT x 3/4 in. (19 mm) close pipe nipple, 1/8 in. elbow, 1/8 in. x NPT 2 in. (51 mm) nipple, and a low gas pressure switch as shown in Fig. 18.
16. Remove regulator cover screw from the gas regulator (see Fig. 11). Save regulator cover screw.
17. Using a screwdriver, remove the plastic regulator adjust screw from the gas regulator (see Fig. 11). Save plastic regulator adjust screw.
18. Remove regulator spring (silver) from the gas regulator (see Fig. 11). Discard regulator spring.
19. Install propane gas regulator spring (white) shipped with this kit. (See Fig. 11).
20. Install plastic adjust screw into the gas regulator, turn clockwise 13.5 turns (see Fig. 11).
21. Verify igniter, ignitor, flame sensor, orifice/main burner relationship prior to completing conversion. (See Fig. 12.) Partially slide burner rack assembly into unit.
22. Disconnect the orange wire from the combustion air pressure switch and connect it to the orange wire on the low gas pressure switch (LGPS) equipped with a 1/4 in. male quick-connect terminal. The low gas pressure switch should have one unconnected orange wire remaining. Connect this wire to the vacant terminal on the combustion air pressure switch (see Fig. 19).

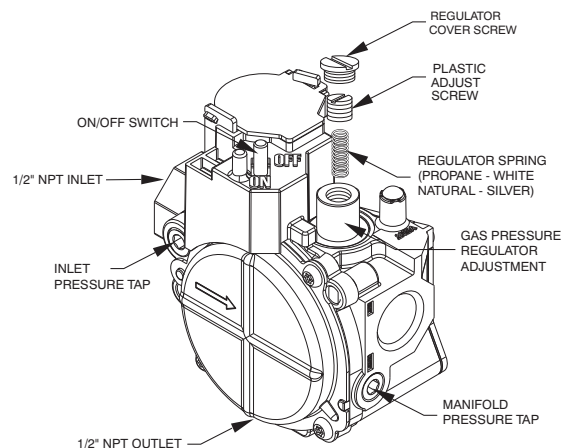


Fig. 11 - Single-Stage Gas Valve

A07808

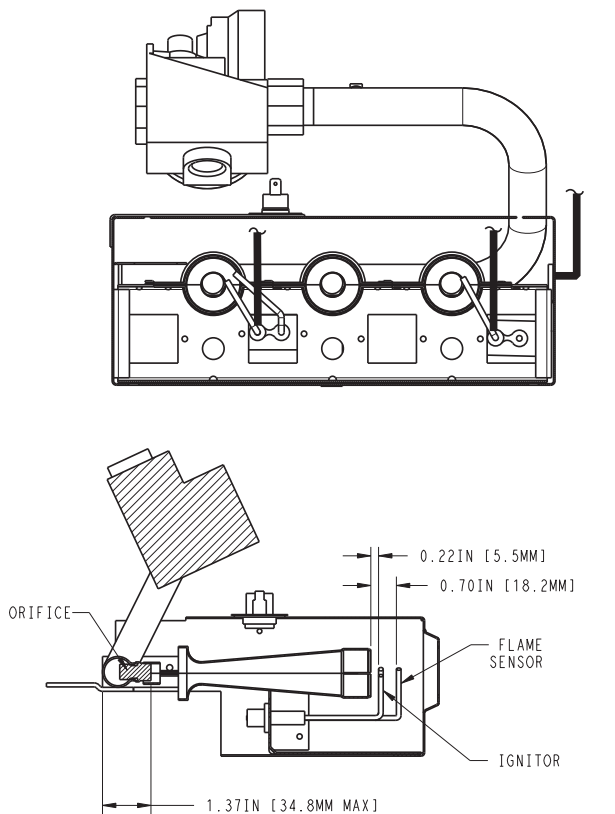


Fig. 12 - Single-Stage Igniter, Flame Sensor, Orifice/Main Burner Relationship

23. Reconnect the blue wires removed in item 5 to the rollout switch and reinstall the rollout switch.
24. Reconnect orange sparker cable to sparker and reconnect the yellow flame sensor wire to the flame sensor.
25. Reconnect the gray and brown wires removed in item 5 to the gas valve.
26. Reconnect the brown wire from the burner assembly to the sheet metal partition.
27. Slide burner rack assembly into base pan. Align burner rack with screws on sheet metal partition and slide assembly back tight to the partition. Replace the screw attaching the burner rack to the base pan removed in step 4.
28. Remove the 1/8 in. pipe plug on the gas manifold and connect a pressure manometer (see Fig. 13).
29. Reconnect electrical power and gas supply to the unit. For propane applications, the gas pressure must not be less than 11.0 IN. W.C. or greater than 13 IN. W.C. at the unit connection. A 1/8-in. NPT plugged tapping, accessible for test gauge connection, must be installed immediately upstream of the gas supply connection to the gas valve and downstream of manual equipment shutoff valve.

The newly installed low gas pressure switch is a safety device used to guard against adverse burner operating characteristics that can result from low gas supply pressure. Switch opens at not less than 6.5 IN. W.C. and closes at not greater than 10.2 IN. W.C.

This switch also prevents operation when the propane tank level is low which can result in gas with a high concentration of impurities, additives, and residues that have settled to the bottom of the tank. Operation under these conditions can cause harm to the heat exchanger system.

This normally open switch closes when gas is supplied to gas valve under normal operating pressure. The closed switch completes control circuit. Should an interruption or reduction in gas supply occur, the gas pressure at switch drops below low gas pressure switch setting, and switch opens. Any interruption in control circuit (in which low gas pressure switch is wired) quickly closes gas valve and stops gas flow to burners.

⚠ WARNING

FIRE AND EXPLOSION HAZARD

Failure to follow this warning could result in personal injury and/or property damage.

Never test for gas leaks with an open flame. Use a commercially available soap solution made specifically for the detection of leaks to check all connections.

IMPORTANT: Restart unit and leak check all gas connections including the main service connection, gas valve, gas spuds, and manifold pipe plug. All leaks must be repaired before firing unit.

30. Fire unit and verify proper ignition and proper sequence of operation (Table 6). See Table 4 for proper manifold pressure setting for your unit. Adjust the gas valve setting by turning the plastic adjustment screws clockwise to increase pressure and counter-clockwise to decrease pressure. Refer to Table 7 for required rated heating input rates. Replace regulator cover screws when finished (see Fig. 11).
31. With burner access panel removed, observe unit heating operation. Watch burner flames to see if they are blue in appearance, and that the flames are approximately the same for each burner (see Fig. 14).
32. Turn off unit, remove pressure manometer and replace the 1/8 in. pipe fitting on the gas manifold (see Fig. 13).
33. Attach warning label (P/N 48DU500076) to visible side of gas valve.
34. Attach conversion label (P/N 48VL500206) above unit rating plate on exterior of unit.
35. Attach completed conversion responsibility label (see Fig. 7, P/N 48VL500207) inside service access panel.

IMPORTANT: Restart unit and leak check all gas connections including the main service connection, gas valve, gas spuds, and manifold pipe plug.

⚠ WARNING

FIRE AND EXPLOSION HAZARD

Failure to follow this warning could result in personal injury and/or property damage.

Never test for gas leaks with an open flame. Use a commercially available soap solution made specifically for the detection of leaks to check all connections.

36. After all leaks are eliminated, replace service panel.

Table 6 – Single-Stage Sequence of Operations

Trial-for-Ignition Sequence: The ignition sequence is to immediately energize the inducer motor on a call for heat. Within approximately 5 sec of the call for heat, the gas valve will open and the igniter will spark. Seven sec will be allowed to prove flame sense on the far burner.

Flame-Proving: Once flame is proven, the control will wait an additional 45 sec to energize the indoor blower motor. On removal of the call for heat, the gas valve will immediately shut down, the inducer motor will run for an additional 5 sec, and the indoor blower will run for an additional 45 sec (minimum).

Table 7 – Single-Stage Rated Heating Input, Propane Gas (2001-6000 ft [610-1829 m] Altitude)

NAMEPLATE INPUT (BTU/HR)	RATED HEATING INPUT PROPANE (BTU/HR)
40,000	38,000
60,000	53,000
90,000	79,000
115,000	103,000
130,000	116,000

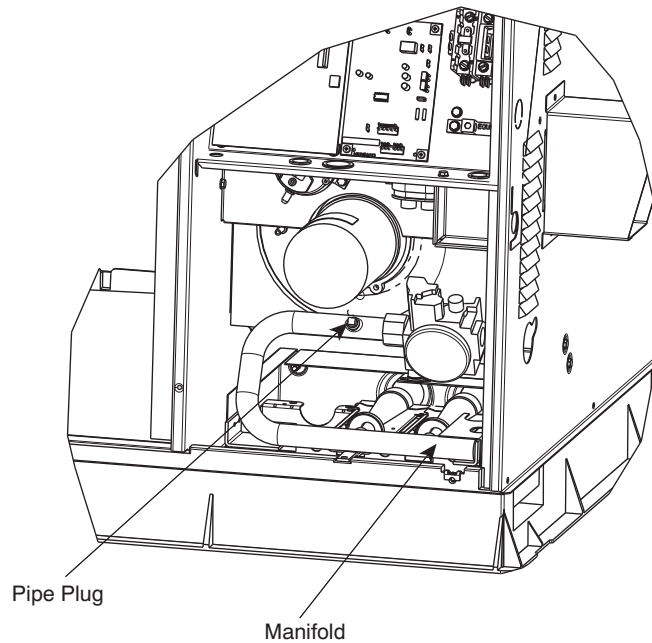


Fig. 13 - Single-Stage Burner Assembly

A07872

CPLPCONV

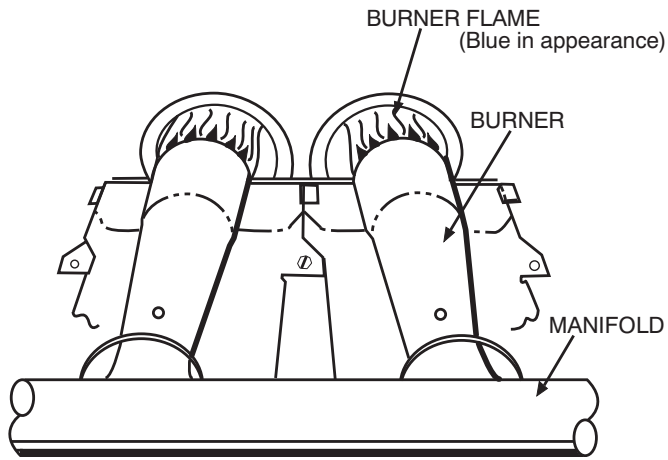
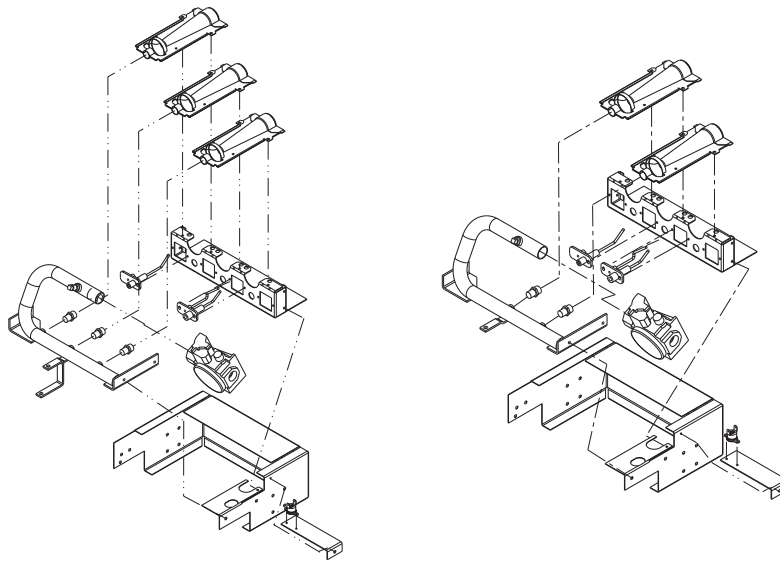


Fig. 14 - Monoport Burner

A07805

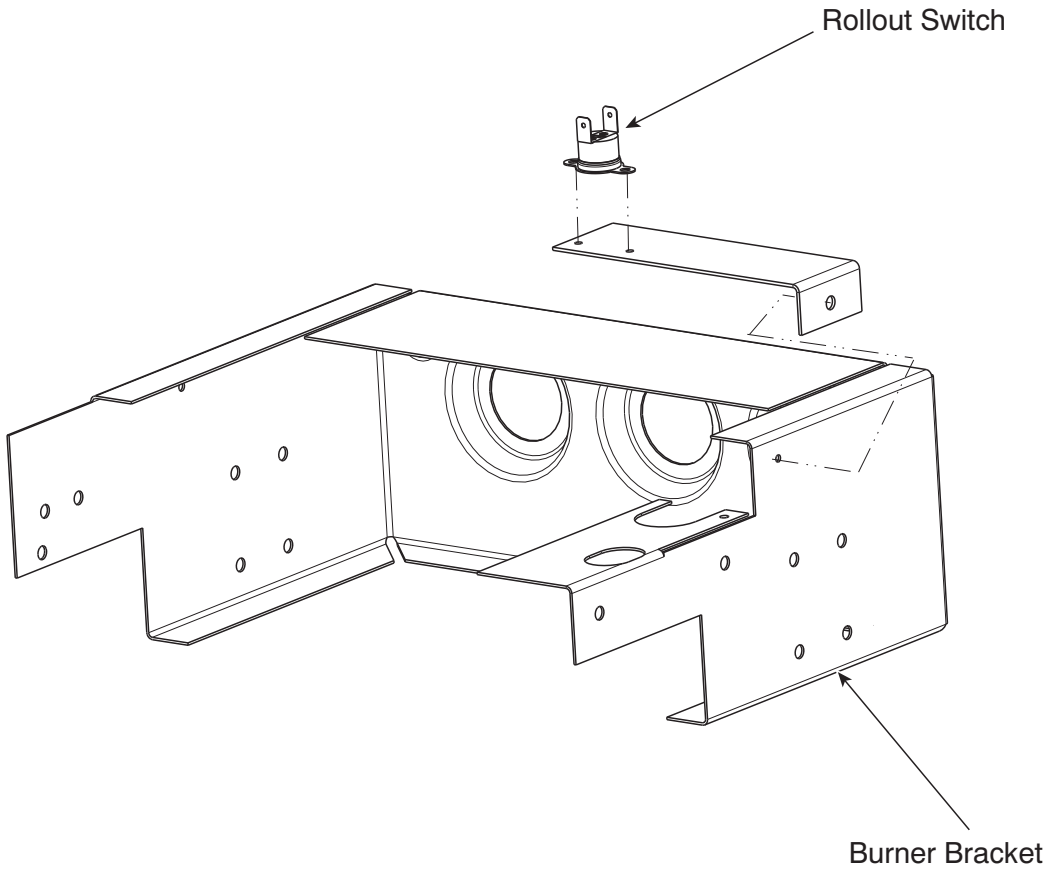


Single-Stage 90,000 BTUH to
130,000 BTUH Units

Single-Stage 40,000 BTUH to
60,000 BTUH Units

Fig. 15 - Single-Stage Orifice Installation

A07873



CPLPCONV

Fig. 16 - Single-Stage Burner Bracket

A07874

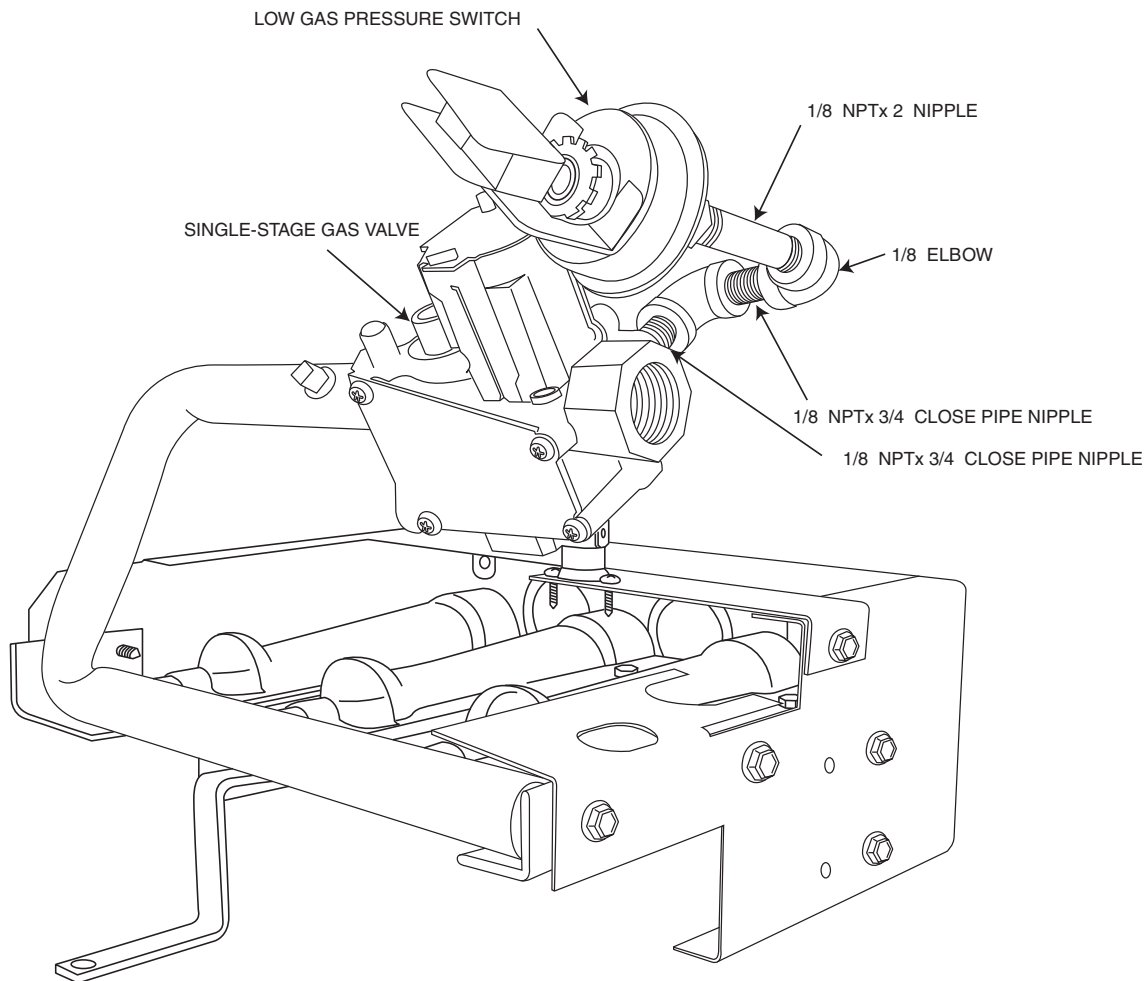
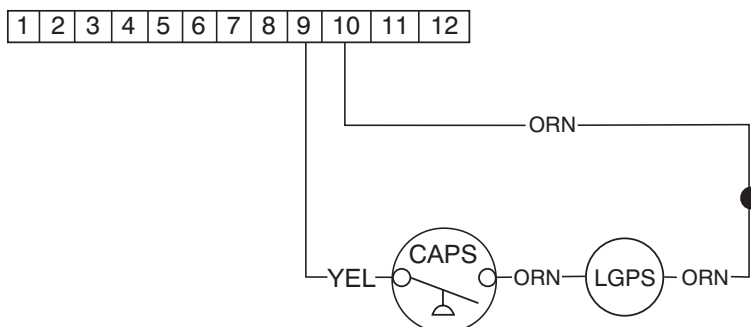


Fig. 17 - Installing Elbows, Nipples, and Pressure Switch on Single-Stage Units

A07809

FURNACE CONTROL BOARD

PLUG J2



LEGEND

ORN = ORANGE

YEL = YELLOW

LGPS = LOW GAS PRESSURE SWITCH

CAPS = COMBUSTION AIR PRESSURE SWITCH

● = QUICK CONNECTION

Fig. 18 - Pressure Switch Wiring for Single-Stage Units

A07806