

Gas Fired Induced Draft
Hot Water Boilers

**PARTS, KITS &
OPTIONAL ACCESSORIES**

Models (Series C)

BW3AAN00042

BW3AAN00075

BW3AAN00112

BW3AAN00150

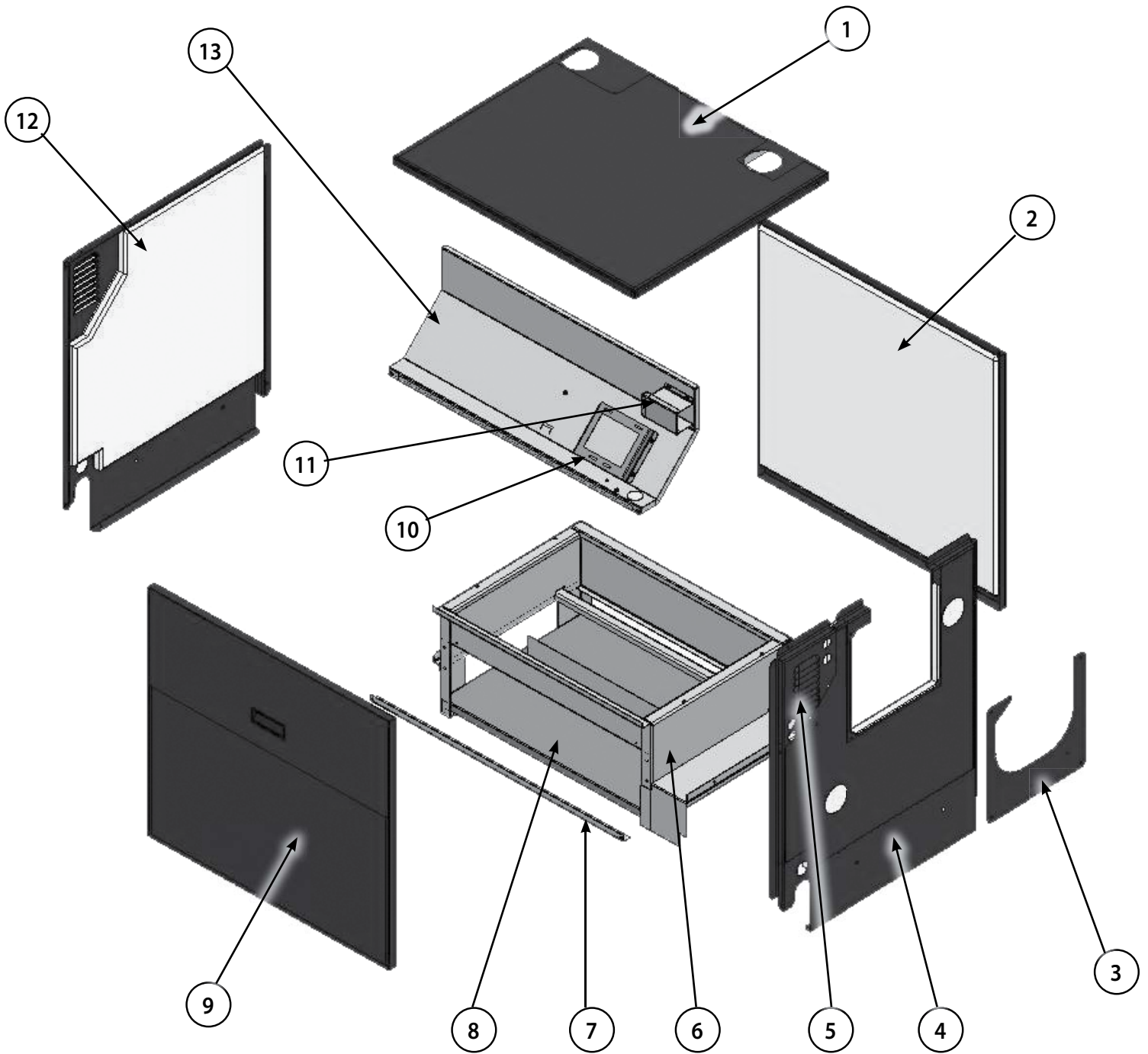
BW3AAN00187

BW3AAN00225



CAC/BDP
7310 West Morris St.
Indianapolis, IN. 46231

Jacket Sections and Base Parts



JACKET AND BASE

Jacket Sections and Base Parts

| KEY NO. | DESCRIPTION | PART NUMBERS FOR | | | | | |
|---------|------------------------------------|------------------|-------------|-------------|-------------|---------------------|---------------|
| | | 2 Section | 3 Section | 4 Section | 5 Section | 6 Section | 7 Section |
| 1 | Jacket, Top Panel | 730001012AB | 730001013AB | 730001014AB | 730001015AB | 730001016AB | 730001017AB |
| 2 | Jacket, Back Panel | 730001022AB | 730001023AB | 730001024AB | 730001025AB | 730001026AB | 730001027AB |
| 3 | Blower Cover Plate | 630001170AB | 630001170AB | 630001170AB | 630001170AB | 630001170AB | 630001170AB |
| 4 | Jacket, Right Side Panel | 109008498AB | 109008498AB | 109008498AB | 109008498AB | 109008498AB | 109008498AB |
| 5 | Rating Plate | - | - | - | - | - | - |
| 6 | Boiler Base | 42500733 | 42500734 | 42500735 | 42500736 | 42500737 | 42500738 |
| 7 | Jacket Tie Bar | 42500653 | 42500654 | 42500655 | 42500656 | 42500657 | 42500658 |
| 8 | Insulation, Base Side (2 Required) | 14614020 | 14614020 | 14614020 | 14614020 | 14614020 | 14614020 |
| | Insulation, Base Front | 14614112 | 14614113 | 14614114 | 14614115 | 14614116 | 14614117 |
| | Insulation, Base Rear | 14614122 | 14614123 | 14614124 | 14614125 | 14614126 | 14614127 |
| 9 | Service Door | 109008686AB | 109008687AB | 109008688AB | 109008689AB | 109008690AB | 109008691AB |
| 10 | Control Standoff (See page 8) | 109008496 | 109008496 | 109008496 | 109008496 | 109008496 | 109008496 |
| 11 | J-Box Cover (See page 8) | 109008506 | 109008506 | 109008506 | 109008506 | 109008506 | 109008506 |
| 12 | Jacket, Left Side Panel | 109008497AB | 109008497AB | 109008497AB | 109008497AB | 109008497AB | 109008497AB |
| 13 | Control Panel | 109008500 | 109008501 | 109008502 | 109008503 | 109008504 | 109008505 |
| ‡ | Cleanout Plate(s) & Insulation | 42501539 | 42501540 | 42501541 | 42501542 | 42501540 & 42501541 | 42501541 (x2) |
| ‡ | Flue Collector | 730003002 | 730003003 | 730003004 | 730003005 | 730003006 | 730003007 |
| ‡ | Jacket, Complete | 550002441 | 550002442 | 550002443 | 550002444 | 550002445 | 550002446AB |
| ‡ | #10 x 1/2 Sheet Metal Screw | 14695074 | 14695074 | 14695074 | 14695074 | 14695074 | 14695074 |
| ‡ | Block Assembly (7,10,11,12,13,17)) | 41000212 | 41000312 | 41000412 | 41000512 | 41000612 | 41000712 |
| ‡ | Combustible Floor Plate | 14614031 | 14614031 | 14614031 | 14614031 | 14614032 | 14614032 |

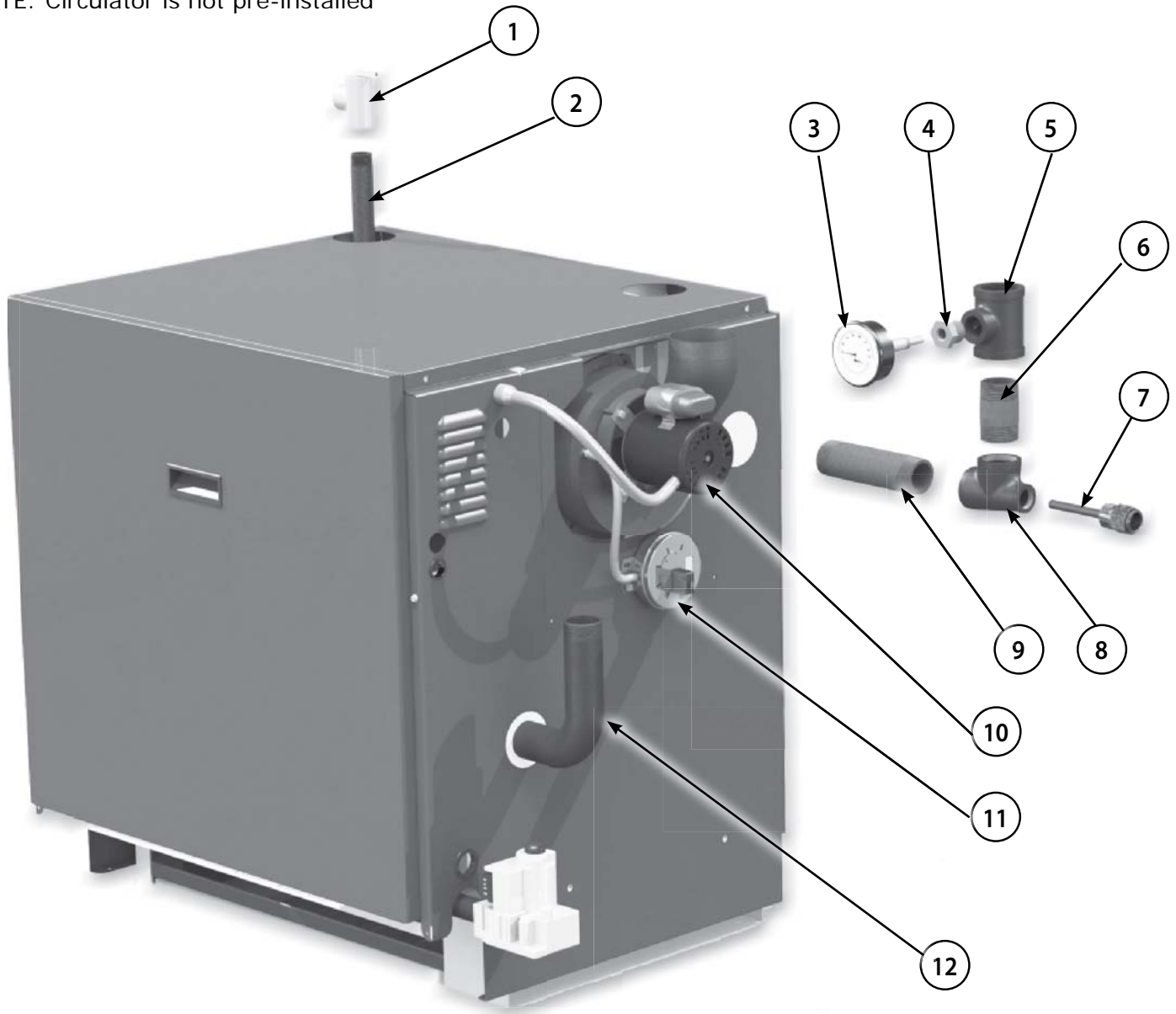
‡ Not illustrated

ACCESSORIES

| DESCRIPTION | PART # |
|---|--------------|
| Filltrol Package (Up to 75,000 BTUH) | KBAFP0101DNK |
| Filltrol Package (Up to 200,000 BTUH) | KBAFP0201DNK |
| Filltrol Package (Over to 200,000 BTUH) | KBAFP0301DNK |
| * High Limit Control | KBAHL0101DNK |
| Combustible Floor Base, 2 through 5 section models | KBASB0301DNK |
| Combustible Floor Base, 6 and 7 section models | KBASB0401DNK |
| Low Water Cut-off Kit | KBALW0101DNK |
| Gas Conversion Kit Natural to Propane | KBANP1001DNK |
| Gas Conversion Kit Propane to Natural | KBAPN1001DNK |
| * Accessory High Limit Control is a strap on aquastat used as an auxiliary limit or reverse acting circulator control | |

Boiler Controls and Piping Repair Parts

NOTE: Circulator is not pre-installed



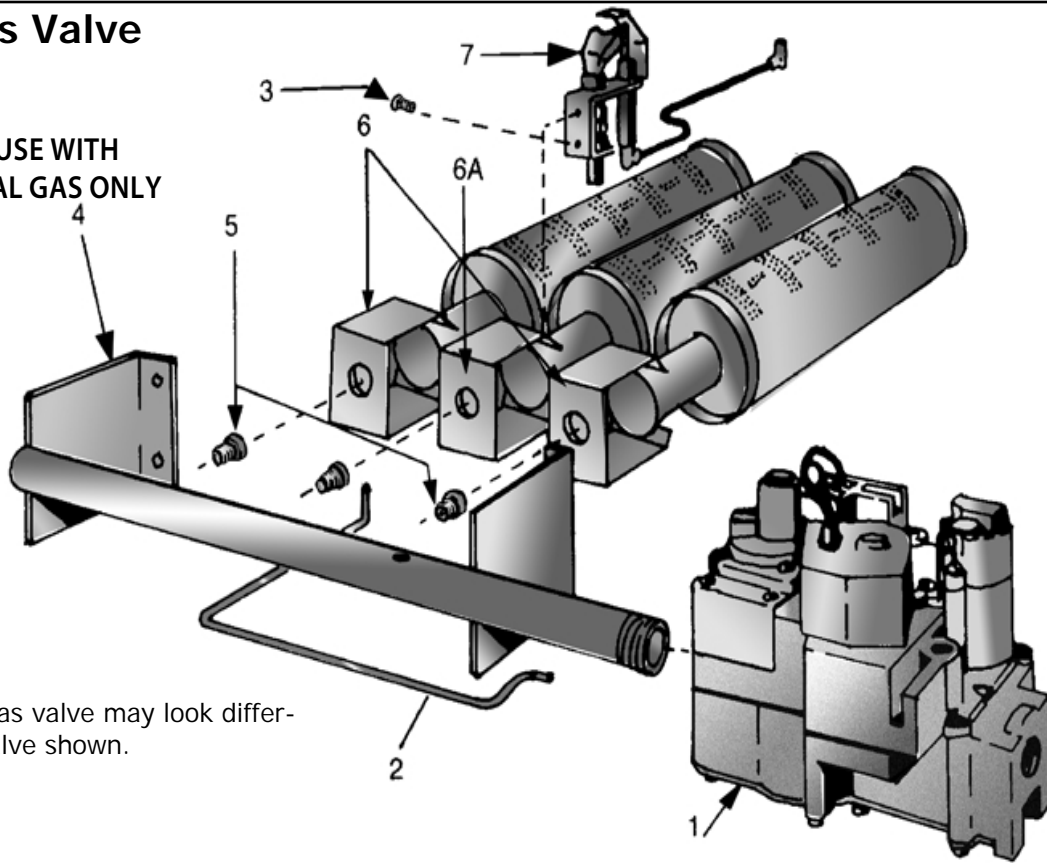
Boiler Controls and Piping Repair Parts

| Key No. | Description | Part No. |
|---------|---|-----------|
| 1 | ¾" ASME Relief Valve | 14622011 |
| 2 | ¾"x 5½" Female Adapter | 1310010 |
| 3 | Temperature Pressure Gauge (3½"Stem) | 1260006SP |
| 4 | Bushing ½" x ¼" | 1060001 |
| 5 | Tee 1¼" x 1¼" x ¾" | PF05901 |
| 6 | Bushing 1¼"x 2½ " | 14693008 |
| 7 | Well | 1635001 |
| 8 | 1¼" x ¾" x ¾" Tee | 1510001 |
| 9 | Female adapter 1¼"x 5½ " | 14607019 |
| 10 | Induced Draft Blower and Gasket | 240009011 |
| 11 | Pressure Switch - 2,3,4,5 Section | 14655006 |
| | Pressure Switch - 6,7 Section | 14655005 |
| 12 | 1¼" Bent Tube | 14607004 |
| ‡ | Sensor | 240007732 |
| ‡ | Clip | 240008013 |
| ‡ | Rubber Tube (Blower to Pressure Switch) | 1552014 |
| ‡ | Rollout Switch | 14629002 |
| ‡ | 3" x 4" Increaser Fitting - Galvanized | 14628012 |
| ‡ | Drain Valve | 240009323 |

‡ Not illustrated

Natural Gas Valve

FOR USE WITH
NATURAL GAS ONLY



NOTE: Actual gas valve may look different than gas valve shown.

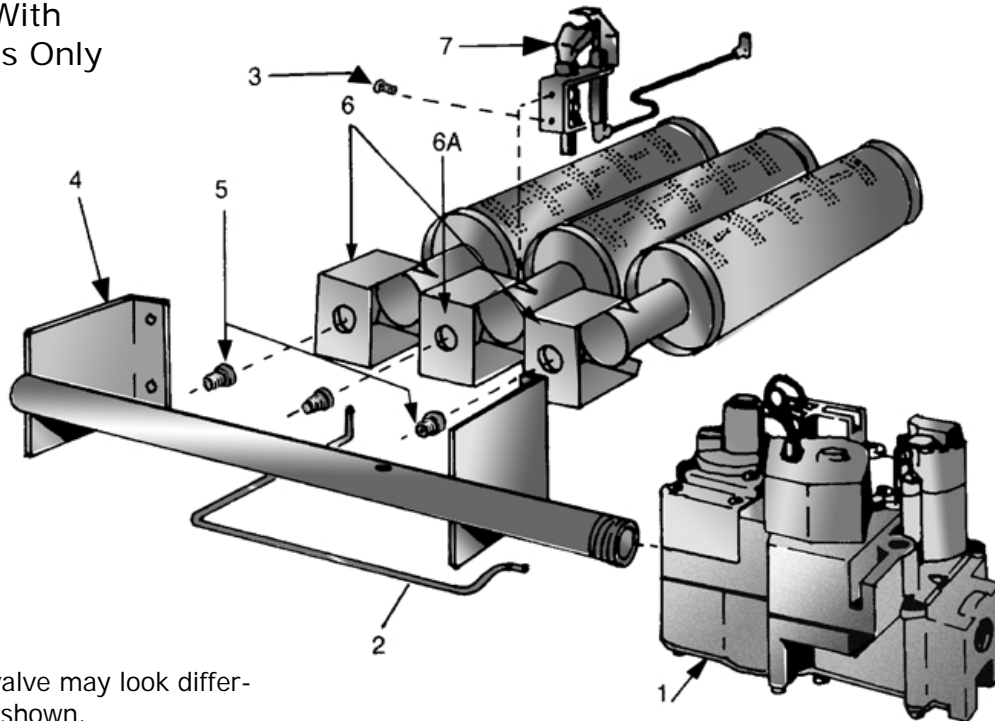
NATURAL GAS BURNER & MANIFOLD PARTS

| KEY NO. | DESCRIPTION | PART NUMBERS FOR | | | | | |
|---------|---------------------------------------|------------------|-----------|-----------|-----------|-----------|-----------|
| | | 2 Section | 3 Section | 4 Section | 5 Section | 6 Section | 7 Section |
| 1 | Gas Valve, Natural Gas | 14662052 | 14662052 | 14662052 | 14662052 | 14662058 | 14662058 |
| 2 | Pilot Tube With Fitting | 43300201 | 43300201 | 43300201 | 43300201 | 43300200 | 43300200 |
| 3 | 10-32 x 3/16" Slotted Hex Head Screws | 14695301 | 14695301 | 14695301 | 14695301 | 14695301 | 14695301 |
| 4 | Gas Manifold | 14616042 | 14616043 | 14616044 | 14616045 | 14616024 | 14616025 |
| 5 | *Orifice -Natural Gas | 14615030 | 14615031 | 14615031 | 14615031 | 14615035 | 14615035 |
| 6 | **Main Burner Less Pilot Bracket | - - - | 14615532 | 14615532 | 14615532 | 14615532 | 14615532 |
| 6A | Main Burner with Pilot Bracket | 14615531 | 14615531 | 14615531 | 14615531 | 14615531 | 14615531 |
| 7 | Pilot with Orifice, Natural Gas | 240009031 | 240009031 | 240009031 | 240009031 | 240009031 | 240009031 |
| ‡ | Rollout Shield | 42500932 | 42500933 | 42500934 | 42500935 | 42500936 | 42500937 |

*Requires 1 less than the number of sections.
 **Requires 2 less than the number of sections.
 ‡ Not illustrated. Quantity is 1 unless otherwise noted.

Propane Gas Valve

For Use With
Propane Gas Only

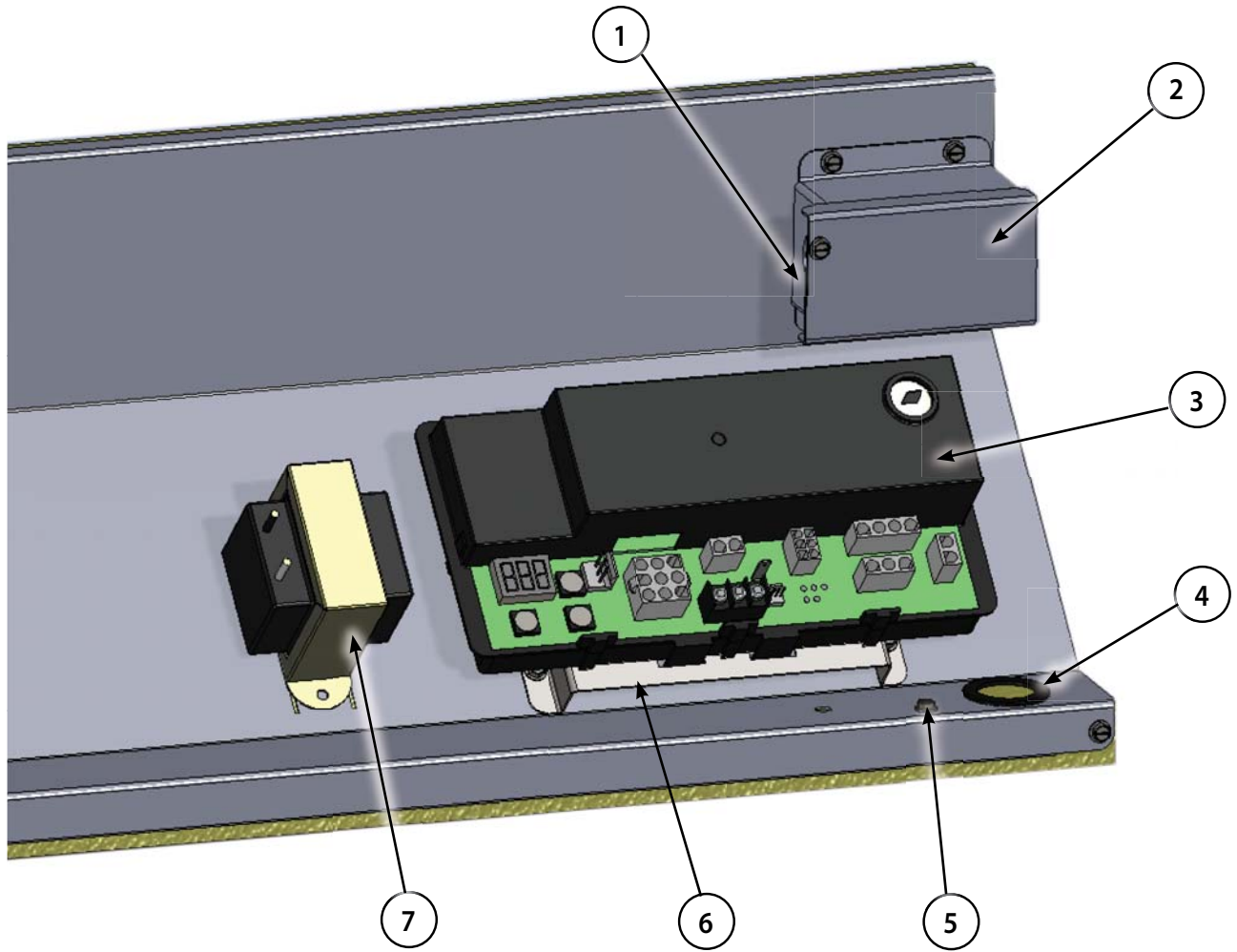


NOTE: Actual gas valve may look different than gas valve shown.

| PROPANE GAS BURNER & MANIFOLD PARTS | | | | | | | |
|--|---------------------------------------|------------------|-----------|-----------|-----------|-----------|-----------|
| KEY NO. | DESCRIPTION | PART NUMBERS FOR | | | | | |
| | | 2 Section | 3 Section | 4 Section | 5 Section | 6 Section | 7 Section |
| 1 | Gas Valve, Propane Gas | 550002740 | 550002740 | 550002740 | 550002740 | 240008809 | 240008809 |
| 2 | Pilot Tube With Fitting | 43300201 | 43300201 | 43300201 | 43300201 | 43300200 | 43300200 |
| 3 | 10-32 x 3/16" Slotted Hex Head Screws | 14695301 | 14695301 | 14695301 | 14695301 | 14695301 | 14695301 |
| 4 | Gas Manifold | 14616020 | 14616021 | 14616022 | 14616023 | 14616024 | 14616025 |
| 5 | *Orifice-Propane Gas | 14615044 | 14615036 | 14615036 | 14615036 | 14615036 | 14615036 |
| 6 | **Main Burner Less Pilot Bracket | --- | 14615532 | 14615532 | 14615532 | 14615532 | 14615532 |
| 6A | Main Burner with Pilot Bracket | 14615531 | 14615531 | 14615531 | 14615531 | 14615531 | 14615531 |
| 7 | Pilot with Orifice, Nat Gas | 240009031 | 240009031 | 240009031 | 240009031 | 240009031 | 240009031 |
| ‡ ‡ | Orifice Propane Gas | PB00208 | PB00208 | PB00208 | PB00208 | PB00208 | PB00208 |
| ‡ | Rollout Shield | 42500932 | 42500933 | 42500934 | 42500935 | 42500936 | 42500937 |
| *Requires 1 less than number of sections. **Requires 2 less than number of sections. ‡ Not illustrated. Quantity is 1 unless otherwise noted. ‡ ‡ Not illustrated pilot sold only in natural gas, must field convert. | | | | | | | |

CONTROL MODULE

CONTROL ASSEMBLY



| ITEM | DESCRIPTION | P/N | QTY. |
|-------------|--------------------------------------|-----------|------|
| 1 | J-BOX | 109008499 | 1 |
| 2 | J-Box Cover | 109008506 | 1 |
| 3 | Control | 240009241 | 1 |
| 4 | Grommet | 206000025 | 1 |
| 5 | Ground Screw #8 | HW07701 | 1 |
| 6 | Control Standoff | 109008496 | 1 |
| 7 | Transformer | 240008782 | 1 |
| * | Line Voltage Harness | 240009194 | 1 |
| * | Low Voltage Wire Harness | 240009342 | 1 |
| * | Circulator Harness | 240008767 | 1 |
| * | Pilot (with wires) [Shown on page 6] | 240009031 | 1 |
| * NOT SHOWN | | | |

THIS PAGE INTENTIONALLY LEFT BLANK

CAC/BDP
7310 West Morris St.
Indianapolis, IN. 46231