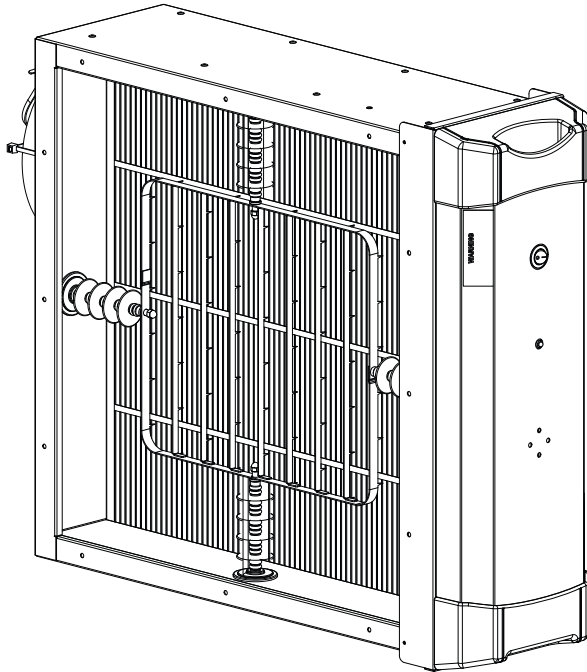


**PGAPACR**  
**Côr® Germicidal Air Purifier**  
**Sizes 1620, 1625, 2020, 2025, 2420**



## Product Data



A11332



The Côr® Air Purifier is designed for use in the return air duct of a forced air heating, cooling, and ventilation system.

It combines superior filtration efficiency, MERV 15, with pathogen-killing technology to deliver maximum air purification.

The Côr® Air Purifier is designed to require minimal maintenance. Maintenance is limited to the replacement of the air purification cartridge and inspection/brush cleaning of the ionization array. Frequency of air purifier cartridge replacement and cleaning of the ionization array may vary depending on ductwork design and local environmental conditions.

### FEATURES / BENEFITS

**Filtration Performance**—High efficiency MERV 15.

**Germicidal Performance** — 96% germicidal/deactivation of human influenza virus, common cold virus and streptococcus bacteria.

**Simple**—Virtually no cleaning required. Simply change purifier cartridge periodically.

**Easy to Install**—Five distinct cabinet sizes help to ensure a perfect fit to the bottom and side of most fan coils and furnaces. Includes power cords.

**Application Possibilities**—Unit can be installed in a horizontal or vertical position, which makes it equally adaptable to horizontal, downflow, or standard upflow applications.

**Solid-State Power Supply**—Power supply is a highly reliable, dual voltage compatible, state-of-the-art, solid-state device.

**Durable Cabinet**—Heavy-gauge steel cabinet supports up to 400 lb when installed beneath a fan coil.

**Agency Listed**—Model PGAP Air Purifier is UL (Canada and US) listed.

**Financing**—Eligible for consumer financing program.

## SPECIFICATIONS AND DIMENSIONS

SPECIFICATIONS	PGAPACR1620	PGAPACR1625	PGAPACR2020	PGAPACR2025	PGAPACR2420
Filtration Efficiency	MERV 15				
Electrical	Dual voltage power supply 115/60/1, 208- 230/60/1 built into door. 6 ft. conduit with (3) 18AWG wires with quick connect terminals				
Germicidal Performance	96% Germicidal / inactivation for human influenza virus, common cold virus, streptococcus bacteria				
Cabinet & Color	G60 steel, Taupe Metallic, RoHS compliant				
Maximum Air Flow, CFM [LPS]	1200 [566]	1400 [661]	1400 [661]	1750 [826]	1750 [826]
Initial press. drop with clean filter CFM [LPS]	In. wg [pa]				
400 [189]	0.05 [12]	0.03 [8]	0.04 [10]	0.03 [8]	0.04 [10]
600 [283]	0.08 [21]	0.06 [15]	0.07 [17]	0.05 [13]	0.06 [16]
800 [378]	0.13 [33]	0.10 [24]	0.10 [26]	0.08 [20]	0.09 [23]
1000 [472]	0.19 [47]	0.14 [35]	0.14 [35]	0.11 [26]	0.12 [30]
1200 [566]	0.26 [64]	0.19 [48]	0.18 [46]	0.14 [34]	0.15 [38]
1400 [661]		0.25 [63]	0.23 [58]	0.17 [43]	0.19 [47]
1600 [755]				0.21 [52]	0.22 [56]
Dust Holding Capacity @ 0.5 in wg at maximum airflow (grams ASHRAE Dust)	36	37	38	39	39
Replacement Filter Part Number (2- pk)	PGAPXCAR1620- A02	PGAPXCAR1625- A02	PGAPXCAR2020- A02	PGAPXCAR2025- A02	PGAPXCAR2420- A02
Replacement Filter Dimensions Inches [cm]	17.3 x 21.9 x 2.6 [44 x 56 x 7]	17.3 x 24.9 x 2.6 [44 x 63 x 7]	21.0 x 21.9 x 2.6 [53 x 56 x 7]	21.0 x 24.9 x 2.6 [53 x 63 x 7]	24.5 x 21.9 x 2.6 [62 x 56 x 7]
Filter Media Surface Area Sq. Ft. [Sq. Meter]	44.8 [4.1]	50.8 [4.7]	54.5 [5.1]	61.2 [5.7]	63.6 [5.9]
Safety Screen Accessory Part Number	KIT- 172- 000	KIT- 170- 000	KIT- 173- 000	KIT- 171- 000	KIT- 174- 000
Safety Screen Dimensions Inches [cm]	17.49 x 21.40 x 1.75 [44.4 x 54.4 x 4.4]	17.49 x 24.40 x 1.75 [44.4 x 62.0 x 4.4]	21.19 x 21.40 x 1.75 [53.8 x 54.4 x 4.4]	21.19 x 24.40 x 1.75 [53.8 x 62.0 x 4.4]	24.69 x 21.40 x 1.75 [62.7 x 54.4 x 4.4]
Air Flow Sensor Part Number	Included	KIT- 160- 00	Included	KIT- 160- 00	Included
Flow Sensor Bypass	KIT- 161- 000	Included	KIT- 161- 000	Included	KIT- 161- 000
Weight- shipping, Lbs [kg]	30 [14]	27 [12]	26 [12]	32 [15]	29 [13]

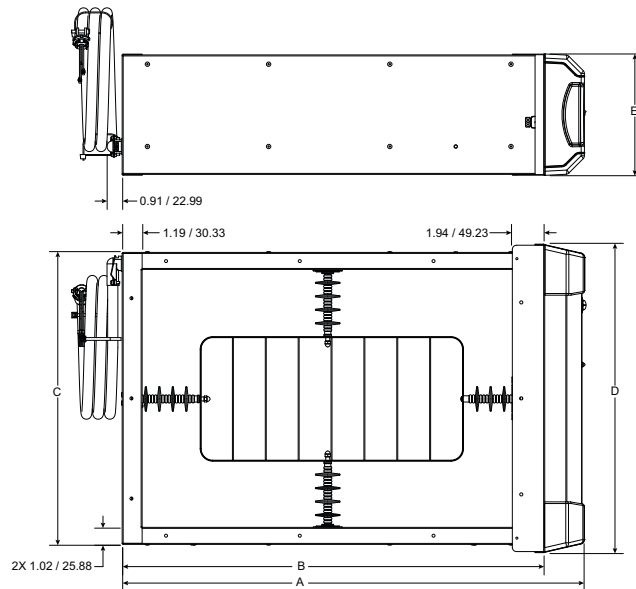


Fig. 21 - Dimensions

A11334

A11334

UNIT	1625	2025	1620	2020	2420
A	27.68- in / 703mm		24.68- in / 626mm		
B	25.28- in / 642mm		22.28- in / 565mm		
C	17.49- in / 444mm	21.19- in / 538mm	17.49- in / 444mm	21.19- in / 538mm	24.69- in / 627mm
D	18.48- in / 469mm	22.18- in / 563mm	18.48- in / 469mm	22.18- in / 563mm	25.68- in / 652mm
E	7.25- in / 184mm				