

# Wired Remote Controller 7 Day Programmable High Wall Ductless Systems

Model: KSACN0401AAA

## Submittal Data

Job Data: \_\_\_\_\_ Location: \_\_\_\_\_  
 Buyer: \_\_\_\_\_ Buyer P.O. #: \_\_\_\_\_ Carrier #: \_\_\_\_\_  
 Unit Number: \_\_\_\_\_ Model Number: \_\_\_\_\_  
 Performance Data Certified By: \_\_\_\_\_ Date: \_\_\_\_\_



### Features

- LCD Display
- Malfunction code display
- 4-wire quick connect
- Room temperature display
- °F/°C Convertible
- Clock

### Functions

- Weekly Schedule
- Mode: Auto-Cool-Dry-Heat-Fan
- Fan Speed: Auto/Low/Med/High speed
- Swing (on some models)
- Timer ON/OFF
- Temperature Setting
- Follow Me Function
- Child Lock

### Parts included:

- |   |  |  |
|---|--|--|
| <input type="checkbox"/> Wired Controller | <input type="checkbox"/> Installation and owner's manual | <input type="checkbox"/> Plastic Screw Bars          |
| <input type="checkbox"/> Adapter Board    | <input type="checkbox"/> Screws M4X20                    | <input type="checkbox"/> Battery                     |
| <input type="checkbox"/> Display Board    | <input type="checkbox"/> Wall Plugs                      | <input type="checkbox"/> Connection Cable 19 ft (6m) |

Note: Extension wire available through RCD. Part Number: 17401204000769

### Specification:

Input Voltage	DC 5V
Ambient Temperature	23 ~ 110°F (-5 - 43°C)
Ambient Humidity	40%RH ~ 90%RH

### Wiring Specification:

Wiring Type	Size	Maximum Length
Sheathed vinyl cord or cable	16 – 18AWG (0.75 – 1.25mm <sup>2</sup> )	66ft (20m)

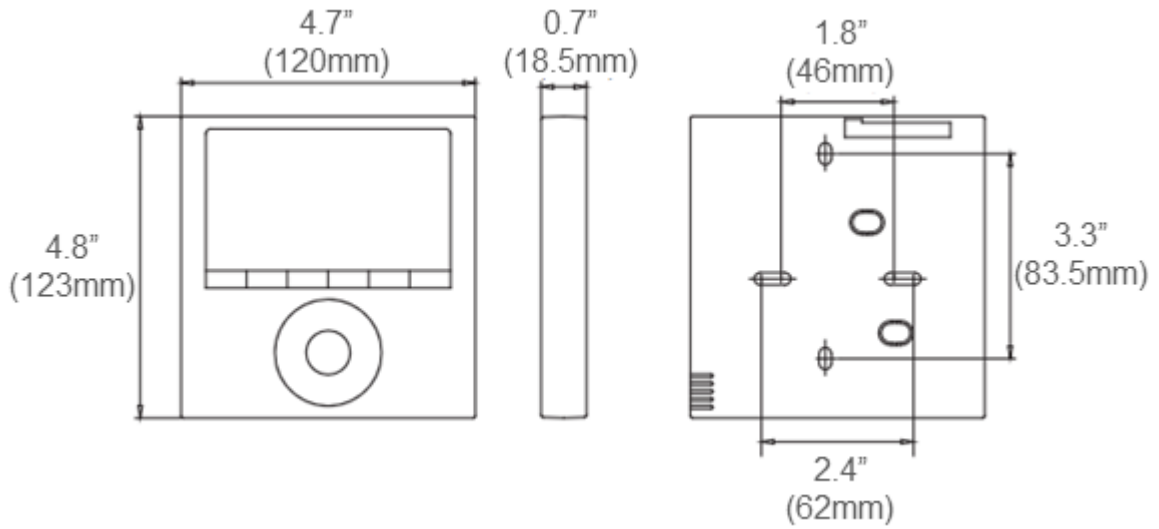
### Compatibility:

Compatible with indoor units starting with Serial Number 0216V10001.

High Wall Indoor units built prior this serial number would require a Control Board Replacement available for sale through RCD.

High Walls	
40MAQB09B--102--	619PAQ009BBMABAA
40MAQB12B--102--	619PAQ012BBMABAA
40MAQB09B--302--	619PEQ009BBMABAA
40MAQB12B--302--	619PEQ012BBMABAA
40MAQB18B--302--	619PEQ018BBMABAA
40MAQB24B--302--	619PEQ024BBMABAA
40MAQB30B--302--	619PEQ030BBMABAA
40MAQB36B--302--	619PEQ036BBMABAA

# Construction View KSACN0401AAA



## Termination View

