

# High Wall Ductless Heat Pump System



**Indoor Model: 619FEQ009HBGA & 619FEQ009BBGA**  
**Outdoor Model: 538FEQ009RBGA**

## Submittal Data

Job Data: \_\_\_\_\_ Location: \_\_\_\_\_  
 Buyer: \_\_\_\_\_ Buyer P.O. #: \_\_\_\_\_ Carrier #: \_\_\_\_\_  
 Unit Number: \_\_\_\_\_ Model Number: \_\_\_\_\_  
 Performance Data Certified By: \_\_\_\_\_ Date: \_\_\_\_\_



### HIGHWALL STANDARD FEATURES

- Variable Speed (Inverter)
- Modes: Cool, Heat, Dry, Fan, Auto
- 80% heating capacity at -20°F
- White (619FEQ009HBGA) and Gray (619FEQ009BBGA) options
- Auto louver mode
- 180° Vertical Air Supply
- X-Fan mode
- Dehumidifying mode
- 7 Fan Speeds
- Sleep mode
- Quiet operation
- 46°F Heating Mode (Heating Setback)
- Follow Me function

### CONTROL FEATURES

- Wireless remote control (standard)

**(Unless otherwise indicated, data applies to both indoor and outdoor models)**

**SYSTEM SIZE** .....09  
**REFRIGERANT** ..... R-410A

**PERFORMANCE**  
 Rated Capacity Cooling (Btuh) ..... 9,000  
 Range Cooling (Btuh) ..... 1,535~12,966  
 Rated Capacity Heating (Btuh) ..... 9,000  
 Range Heating (Btuh) ..... 2,388~13,648  
 SEER/EER ..... 30.5/15.8  
 HSPF ..... 10.3

**OUTDOOR**  
 Airflow (CFM) ..... 1,412  
 Sound Pressure (dBA) ..... 53

**INDOOR**  
 Airflow Lowest to Highest (CFM) ..... 206/235/294/324/353/383/412  
 Sound Pressure at Lowest to Highest (dBA) ..... 22/24/26/30/34/38/41  
 Air throw (Ft) ..... 29.5

**Accessories:**

Insulated 25' Line Set - 1/4" x 1/2"

Condensate Pump 208/230V

**ELECTRICAL**  
 System Voltage ..... 208/230-1-60  
 Indoor Unit ..... Wired from Outdoor  
 Wires between Indoor and Outdoor ..... 4  
 MCA ..... 12  
 MOCP ..... 15

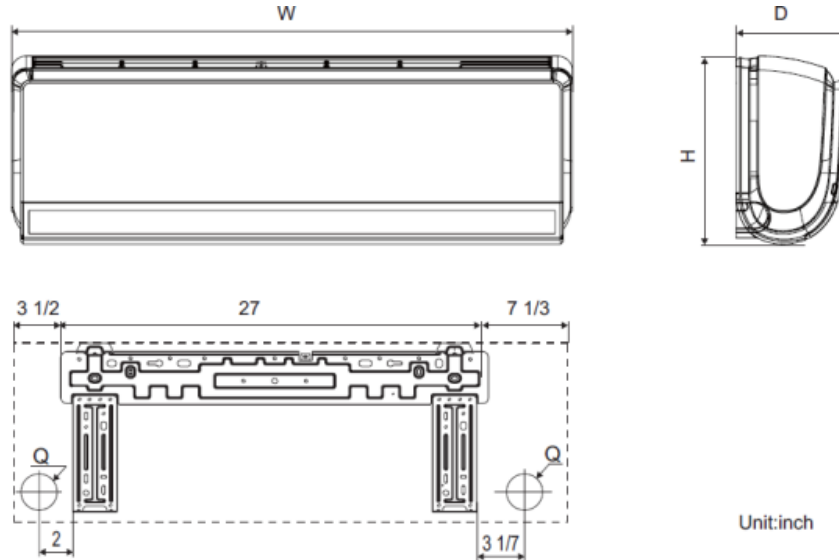
**CONTROLS**  
 Wireless Remote ..... Standard

**REFRIGERANT LINES**  
 Total Piping Length (ft) ..... 82  
 Vertical Lift (ft) ..... 33  
 Suction Line Size (in) ..... 1/2  
 Liquid Line Size (in) ..... 1/4

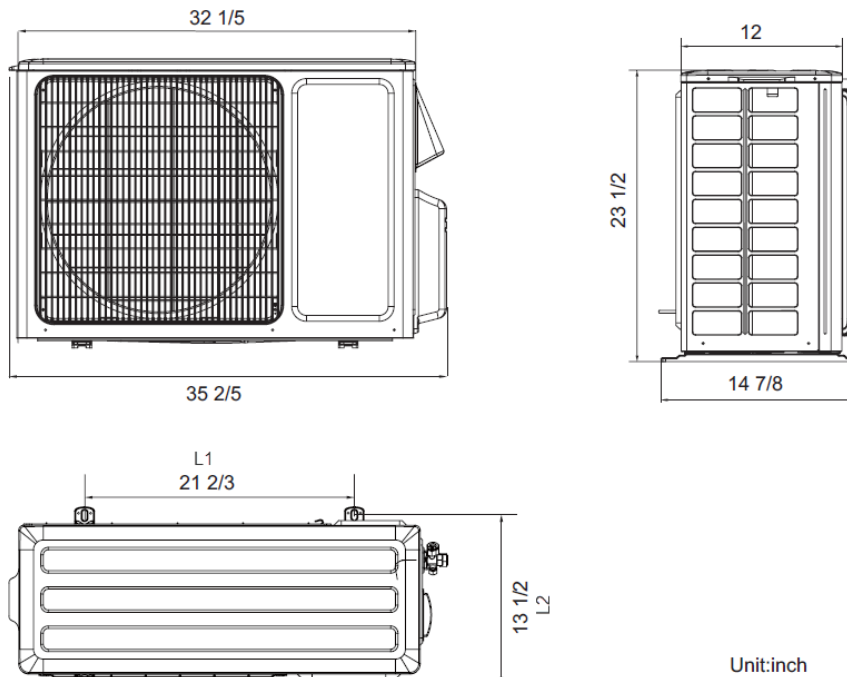
**AMBIENT OPERATING RANGE**  
 Cooling DB Min ~ Max (F) ..... 0~129  
 Heating DB min~ Max (F) ..... -22~75

**UNIT WEIGHT - Gross/Net**  
 Indoor unit (lbs) ..... 30.9  
 Outdoor unit (lbs) ..... 99.2

**Construction View:**  
**Indoor Model: 619FEQ009HBGA & 619FEQ009BBGA**  
**Outdoor Model: 538FEQ009RBGA**



Unit Size	W in (mm)	D in (mm)	H in (mm)	Operating Weight lb (kg)
09K	37.8(960)	8.1(205)	12.6(320)	30.9(14)



Model	W in (mm)	D in (mm)	H in (mm)	L1 in (mm)	L2 in (mm)	Operating Weight lb (kg)
09K	35.4(899)	14.9(378)	23.5(596)	21.7(551)	13.5(342)	99.2(44)

