

High Wall Ductless Heat Pump System



Indoor Model: 619FEQ012HBGA & 619FEQ012BBGA
Outdoor Model: 538FEQ012RBGA

Submittal Data

Job Data: _____ Location: _____
 Buyer: _____ Buyer P.O. #: _____ Carrier #: _____
 Unit Number: _____ Model Number: _____
 Performance Data Certified By: _____ Date: _____



HIGHWALL STANDARD FEATURES

- Variable Speed (Inverter) Two-Stage Compressor
- Modes: Cool, Heat, Dry, Fan, Auto
- 80% heating capacity at -20°F
- White (619FEQ012HBGA) and Gray (619FEQ012BBGA) options
- Auto louver mode
- 180° Vertical Air Supply
- X-Fan mode
- Dehumidifying mode
- 7 Fan Speeds
- Sleep mode
- Quiet operation
- 46°F Heating Mode (Heating Setback)
- Follow Me function

CONTROL FEATURES

- Wireless remote control (standard)

(Unless otherwise indicated, data applies to both indoor and outdoor models)

SYSTEM SIZE 12
REFRIGERANT R-410A

PERFORMANCE
 Rated Capacity Cooling (Btuh) 12,000
 Range Cooling (Btuh) 2,900~15,354
 Rated Capacity Heating (Btuh) 13,000
 Range Heating (Btuh) 3,071~18,766
 SEER/EER 23.00/12.77
 HSPF 10.3

OUTDOOR
 Airflow (CFM) 1,412
 Sound Pressure (dBA) 55

INDOOR
 Airflow Lowest to Highest (CFM) 265/294/353/383/412/441/471
 Sound Pressure at Lowest to Highest (dBA) 23/25/27/31/35/39/42
 Air throw (Ft) 29.5

Accessories:

Insulated 25' Line Set - 1/4" x 1/2"

Condensate Pump 208/230V

ELECTRICAL
 System Voltage 208/230-1-60
 Indoor Unit Wired from Outdoor
 Wires between Indoor and Outdoor 4
 MCA 13
 MOCP 20

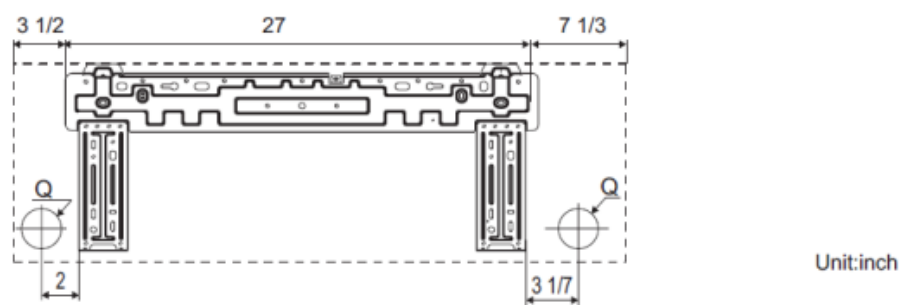
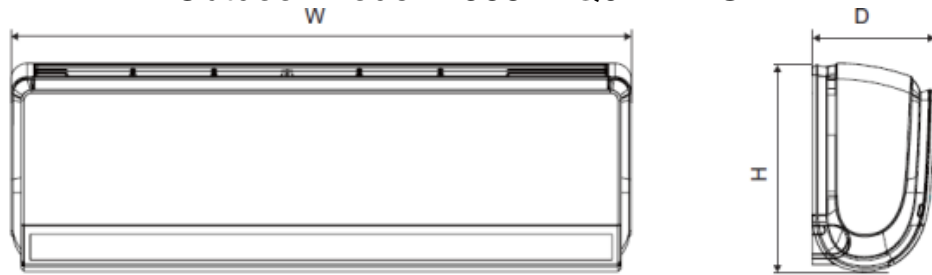
CONTROLS
 Wireless Remote Standard

REFRIGERANT LINES
 Total Piping Length (ft) 82
 Vertical Lift (ft) 33
 Suction Line Size (in) 1/2
 Liquid Line Size (in) 1/4

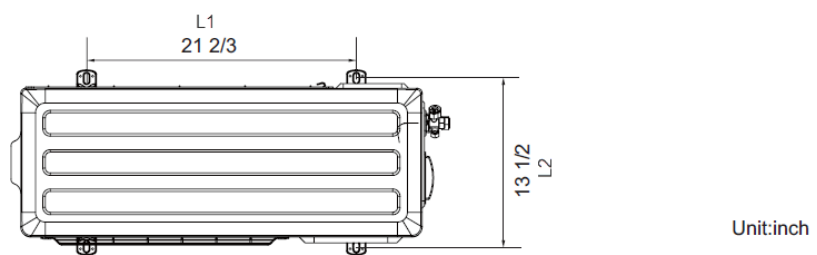
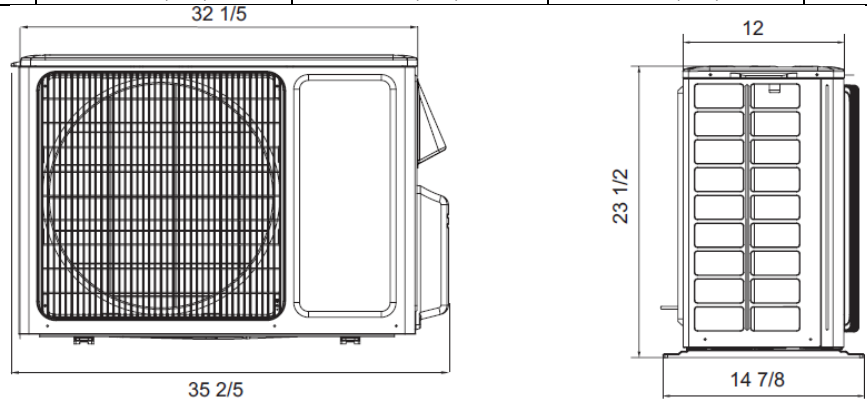
AMBIENT OPERATING RANGE
 Cooling DB Min ~ Max (F) 0~129
 Heating DB min~ Max (F) -22~75

UNIT WEIGHT - Gross/Net
 Indoor unit (lbs) 30.9
 Outdoor unit (lbs) 97.0

Construction View:
Indoor Model: 619FEQ012HBGA & 619FEQ012BBGA
Outdoor Model: 538FEQ012RBGA



Unit Size	W in (mm)	D in (mm)	H in (mm)	Operating Weight lb (kg)
12K	37.8(960)	8.1(205)	12.6(320)	30.9(14)



Unit Size	W in (mm)	D in (mm)	H in (mm)	L1 in (mm)	L2 in (mm)	Operating Weight lb (kg)
12K	35.4(899)	14.9(378)	23.5(596)	21.7(550)	13.5(342)	97.0(44)

