

48ES-A, 48EZ-A,
 48VL-A, 48VT-A,
 50ES-A, 50EZ-A,
 50VL-A, 50VT-A,
 574D--A, 674D--A,
 704D--A, 604D--A,
 577C--A, 677C--A,
 707C--A, 607C--A

**SMALL PACKAGED PRODUCT (SPP)
 FILTER RACK PACKAGE
 FACTORY INSTALLED OPTION**

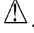
Installation Instructions

SAFETY CONSIDERATIONS

Improper installation, adjustment, alteration, service maintenance, or use can cause explosion, fire, electrical shock, or other conditions which may cause death, personal injury, or property damage. Consult a qualified installer, service agency, or your distributor or branch for information or assistance. The qualified installer or agency must use factory-authorized kits or accessories when modifying this product. Refer to the individual instructions packaged with the kits or accessories when installing.

Follow all safety codes. Wear safety glasses, protective clothing, and work gloves. Have a fire extinguisher available. Read these instructions thoroughly and follow all warnings or cautions included in literature and attached to the unit. consult local building codes, the current editions of the National Fuel Gas Code (NFGC) NFPA 54/ANSI Z223.1, and the National Electrical Code (NEC) NFPA 70.

In Canada refer to the current editions of the National Standards of Canada CAN/CSA-B149.1 and .2 Natural Gas and Propane Installation codes, and Canadian Electrical Code CSA C22.1

Recognize safety information. This is the safety-alert symbol . When you see this symbol on the unit and in instructions or manuals, be alert to the potential for personal injury. Understand these signal words: DANGER, WARNING, and CAUTION. These words are used with the safety-alert symbol. DANGER identifies the most serious hazards which **will** result in severe personal injury or death. WARNING signifies hazards which **could** result in personal injury or death. CAUTION is used to identify unsafe practices which **may** result in minor personal injury or product and property damage. NOTE is used to highlight suggestions which **will** result in enhanced installation, reliability, or operation.

CAUTION

CUT HAZARD

Failure to follow this caution may result in personal injury. Sheet metal parts may have sharp edges or burrs. Use care and wear appropriate protective clothing and gloves when handling parts.

FILTER REPLACEMENT

This unit is equipped with a filter rack and 1-in. filters. See Table 1 for replacement filter sizes. The filter rack can also accommodate 2-in. wide filters. Use caution not to damage indoor coil during replacement of filters.

1. Turn off unit power supply and install lockout tag.

WARNING

ELECTRICAL SHOCK HAZARD

Failure to follow this warning could result in personal injury or death.

Before installing or servicing system, always turn off main power to system and install lockout tag. There may be more than one disconnect switch. Turn off accessory heater power switch if applicable.

2. Remove the filter access panel using a 5/16-in. nut driver. (See Fig. 1.)
3. Remove tape from filters and discard. (See Fig. 2.) Remove the filter(s) by pulling it out of the unit. If the filter(s) is dirty, clean or replace with a new one.

When installing the new filter(s), note the direction of the airflow arrows on the filter frame which should be pointing at the indoor coil.

4. Reinstall filter access panel ensuring opening is air and water tight.

If you have difficulty locating your air filter(s) or have questions concerning proper filter maintenance, contact your dealer for instructions. When replacing filters, always use the same size and type of filter that was supplied originally by the installer or shipped with the unit.

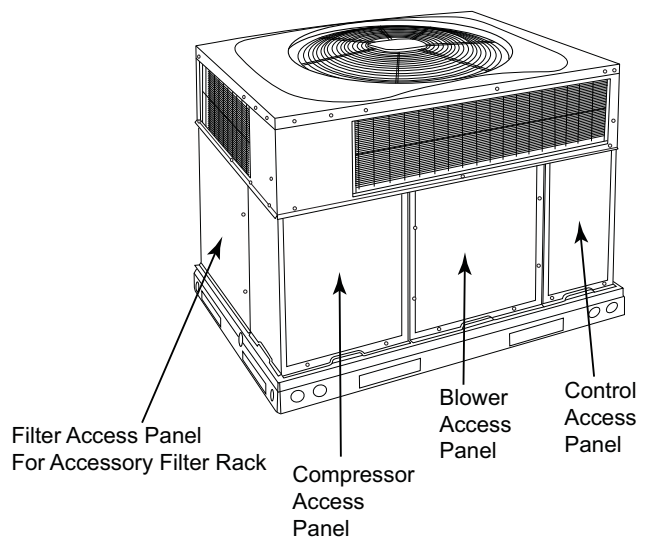
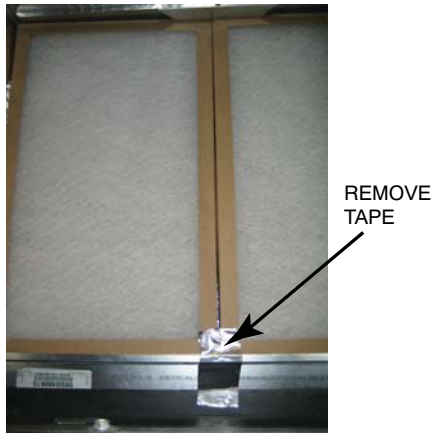


Fig. 1 - Unit Access Panel

A09213

CPFILTRK



A11566

Fig. 2 - Removing Tape

Table 1 – Replacement Filter Size

MODEL	SIZE	1 IN. FILTER SIZE	2 IN. FILTER SIZE*
48ES 48EZ 48VL 48VT 50ES 50EZ 50VL 50VT 574D 577C 604D 607C 674D 677C 704D 707C	24–36	2 – 12 x 20 x 1 (304.8 x 508 x 25.4 mm)	1 – 10 x 20 x 2 (254.0 x 508 x 50.8 mm) 1 – 12 X 20 X 2 (304.8 x 508 x 50.8 mm)
48VT 50VT 607C 677C	24–30		
48ES 48EZ 48VL 50ES 50EZ 50VL 574D 577C 604D 674D 704D 707C	42–48	1 – 14 x 24 x 1 (355.6 x 609.6 x 25.4 mm) 1 – 16 X 24 X 1 (406.4 X 609.6 X 25.4 mm)	1 – 14 x 24 x 2 (355.6 x 609.6 x 50.8 mm) 1 – 16 X 24 X 2 (406.4 X 609.6 X 50.8 mm)
48VT 50VT 607C 677C	36–42		
48ES 48EZ 48VL 50ES 50EZ 50VL 574D 577C 604D 674D 704D 707C	60	16 x 24 x 1 (406.4 x 609.6 x 25.4 mm) 18 x 24 x 1 (457.2 x 609.5 x 25.4 mm)	2 – 10 X 24 X 2† (254.0 X 609.6 X 50.8 mm) 1 – 14 X 24 X 2† (355.6 X 609.6 X 50.8)
48VT 50VT 607C 677C	48–60		

* 2-in. filters not included.

†Place 14 x 24 in. (355.6 x 609.6 mm) filter at the right side of the coil and 10 x 24 in. (254.0 x 609.6 mm) filters at the left side in this order.

NOTE: Unscrew two brackets on the top filter rack to fit 2-in. (50.8 mm) filters.